

### Standard Installation



Flammable



Warning



High Voltage







Hot Surface

# MINI YUKON

BOLLARD - LED

#### TOOLS NEEDED:

-  0.050", 5/64", & 1/8" Allen Wrench
-  Waterproof Wire Connectors
-  Sleeve or Wedge Anchors for Concrete (3/8" Dia. Min.)
-  9/16" Socket

### INSTRUCTIONS PERTAINING TO A RISK OF FIRE, OR INJURY TO PERSONS IMPORTANT SAFETY INSTRUCTIONS

#### Lighted fixture is HOT!

#### WARNING - To reduce the risk of FIRE OR INJURY TO PERSONS:

Turn off/unplug and allow to cool before replacing lamp/LED. Fixture gets HOT quickly! Contact only switch/plug when turning on. Do not touch hot lens, guard, or enclosure. Keep fixture away from materials that may burn. Do not operate the luminaire fitting with a missing or damaged shield. Do not touch the source at any time. Use a soft cloth or gloves. Oil from skin may cause damage.

**SAVE THESE INSTRUCTIONS**

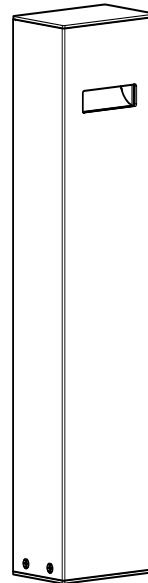
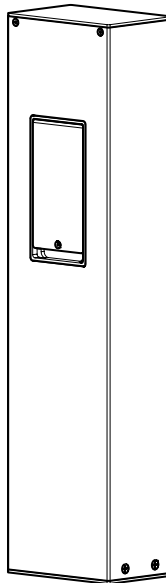
### IMPORTANT SAFETY INFORMATION - READ, FOLLOW, AND SAVE ALL SAFETY AND INSTALLATION INSTRUCTIONS

- Product must be installed by a qualified person in a manner consistent with its intended use and in compliance with the National Electrical Code, Canadian Electrical Code, and all Local and Provincial Codes.
- Follow product label information and instructions.
- Qualified Personnel with appropriate personal protective equipment must perform all servicing of this product.
- Before wiring to power supply and during servicing, turn off and lock out power at fuse or circuit breaker before service.
- The use of accessory equipment not recommended by the manufacturer or installed contrary to instructions may cause an unsafe condition. The use of damaged components may cause an unsafe condition and void product warranty.
- Do not block light emanating from product in whole or part, as this may cause an unsafe condition.
- Never operate the fixture with missing or damaged lens. Lens must be cleaned on regular basis.
- Entire fixture may become extremely hot. Do not touch hot lens or fixture body.
- Replace LED assembly only with correct wattage and type of power supply appropriate for LED assembly.
- All gaskets, o-rings and sealing surfaces must be kept clean during installation and service; failure to do this may cause an unsafe condition and void product warranty.

### IMPORTANT LISTINGS AND CERTIFICATIONS

- Suitable for wet locations

Proper soil preparation is recommended before installation. See the DIG-IT guide at [www.bklighting.com/collaterals/install/digit.pdf](http://www.bklighting.com/collaterals/install/digit.pdf) for more information.



 **CONCRETE INSTALLATION ONLY**

### IMPORTANT SAFETY INFORMATION - READ, FOLLOW, AND SAVE THESE INSTALLATION INSTRUCTIONS

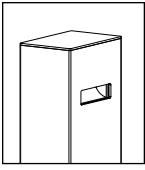
# B-K LIGHTING

40429 Brickyard Drive • Madera, CA 93636 • USA  
559.438.5800 • FAX 559.438.5900  
[www.bklighting.com](http://www.bklighting.com) • [info@bklighting.com](mailto:info@bklighting.com)

RELEASE DATE  
01/02/2025

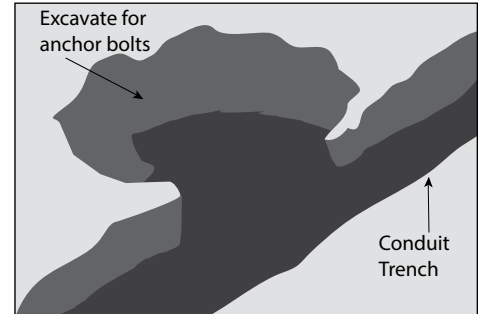
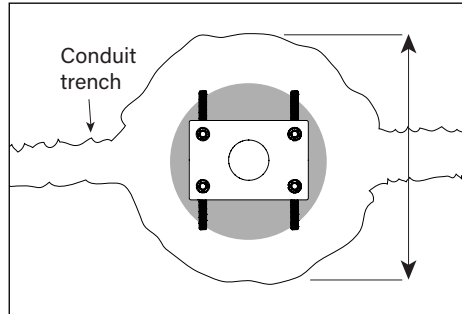
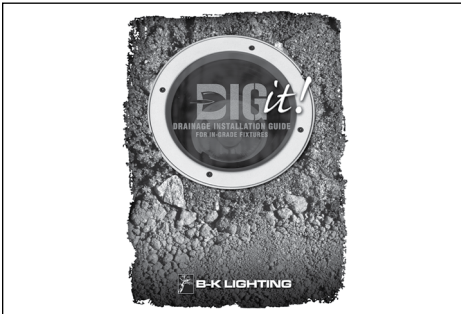
REFERENCE NUMBER  
INS-2889-00

THIS DOCUMENT CONTAINS PROPRIETARY INFORMATION OF B-K LIGHTING, INC. AND ITS RECEIPT OR POSSESSION DOES NOT CONVEY ANY RIGHTS TO REPRODUCE, DISCLOSE ITS CONTENTS, OR TO MANUFACTURE, USE OR SELL ANYTHING IT MAY DESCRIBE. REPRODUCTION, DISCLOSURE OR USE WITHOUT SPECIFIC WRITTEN AUTHORIZATION OF B-K LIGHTING, INC. IS STRICTLY FORBIDDEN.



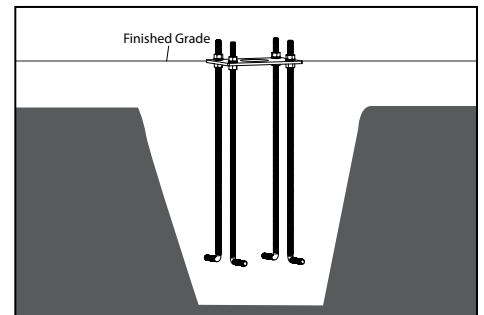
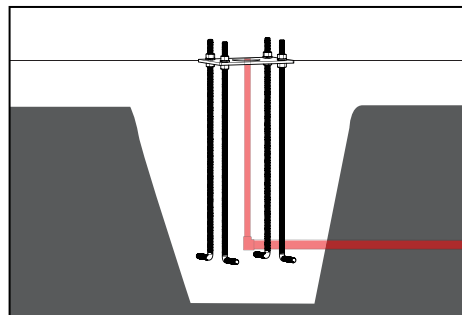
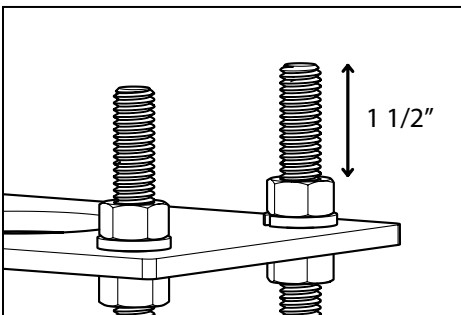
*Standard Installation*

**Soil Prep**

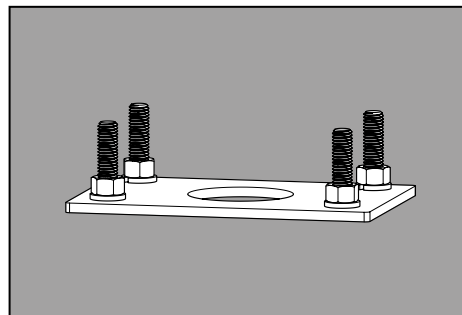
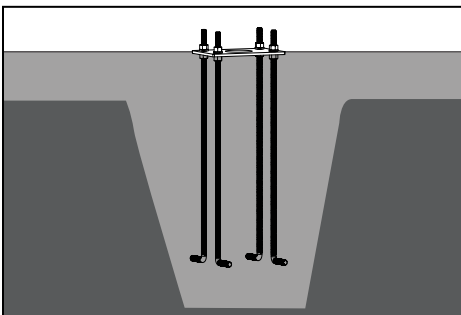


- A. Determine Soil Type by referencing DIG-IT Guide. Prep soil according to DIG-IT Guide.
- B. Dig hole 9" wide and 24" deep.
- C. Prep soil according to DIG-IT Guide.

**YKB Anchor Kit Installation**



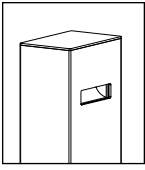
1. Adjust anchor bolts to project at least 1-1/2" using the four (4) 3/8-16 nuts to the top of the plate. The four (4) nuts can be left in place while concrete is poured.
2. Run conduit inside of the anchor plate center hole prior to pouring concrete.
3. Install anchor plate and bolt assembly flush with the finished grade.



4. With the conduits in place and the anchor plate properly positioned, secured and leveled, concrete may be poured.
5. The fixture may be installed by removing the four (4) 3/8-16 nuts and re-using them to secure the fixture mounting base assembly. Trim conduit as needed.

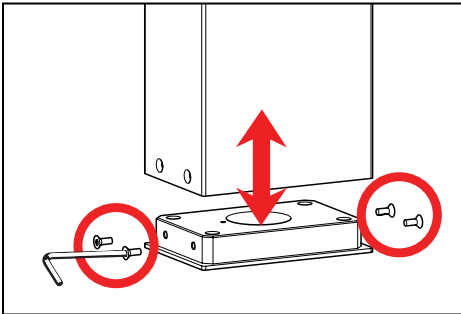
**IMPORTANT SAFETY INFORMATION LISTED ON REVERSE  
READ, FOLLOW, AND SAVE ALL SAFETY AND INSTALLATION INSTRUCTIONS**



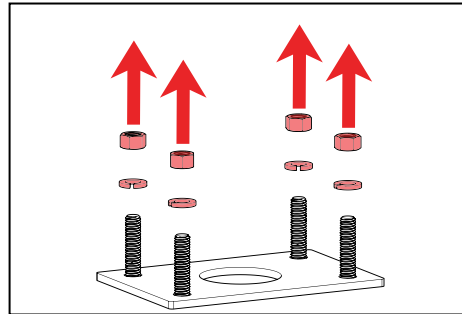


## Standard Installation

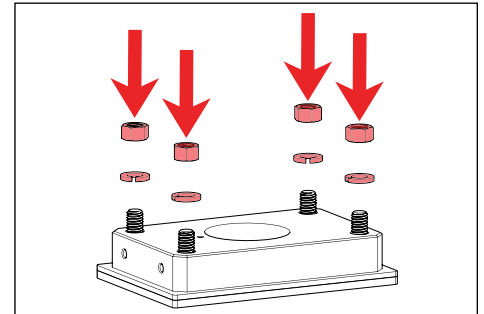
### Base & Tenon Installation



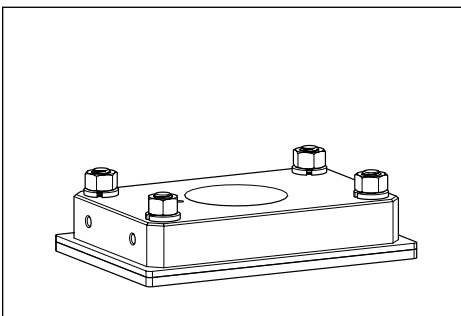
1. Remove base from fixture. Loosen four (4) #10-32 screws using a 1/8" allen wrench.



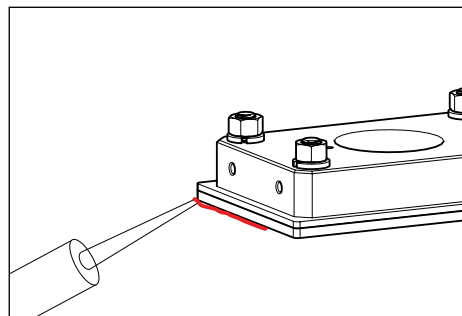
2. Remove four (4) 3/8"-16 nuts and lock washers from installed anchor kit. Keep hardware for use in following steps.



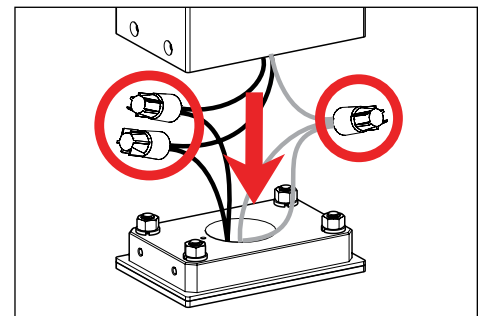
3. Align anchor base with anchor bolts and set base onto anchor plate.



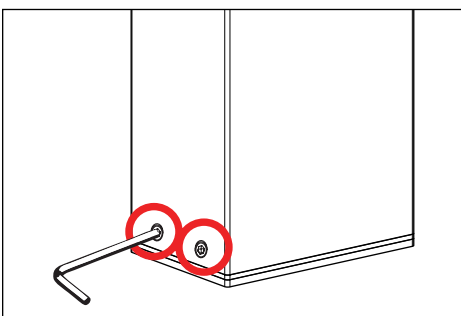
4. Secure anchor base using four (4) 3/8"-16 nuts and lockwashers using a 9/16" socket or adjustable crescent wrench.



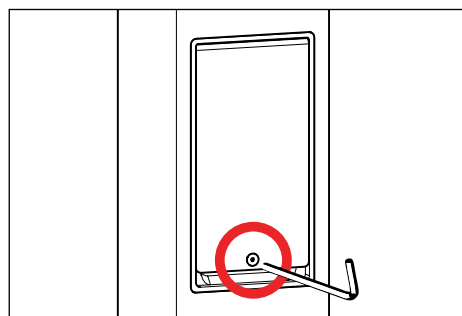
5. Seal as per NEC with waterproof silicone sealant (not included).



6. Pull primary branch circuit wiring and any additional dimming controls or other wiring necessary for installation. Attach ground from branch circuit to ground lead on the anchor base. Place connectors inside of the housing (**Please refer to page 4 for wiring diagram**).



7. Install fixture onto installed anchor base. Secure using four (4) #10-32 screws using a 1/8" allen wrench.

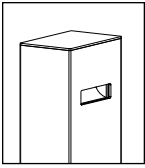


**If the fixture has a receptacle.**

8. Secure receptacle cover by tightening #6-32 screw using a 5/64" allen wrench.

**IMPORTANT SAFETY INFORMATION LISTED ON REVERSE  
READ, FOLLOW, AND SAVE ALL SAFETY AND INSTALLATION INSTRUCTIONS**



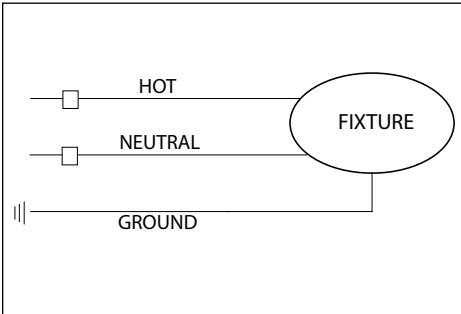


## Standard Installation

# MINI YUKON

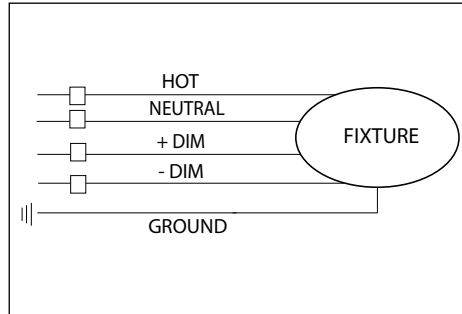
BOLLARD - LED

### Fixture Installation Diagram



**WIRING DIAGRAM - INC**

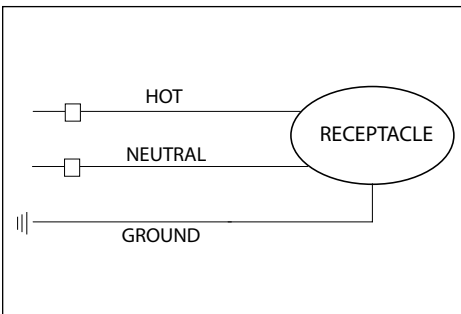
Pull branch circuit wiring. Make watertight connections from primary branch circuit to pre-wired 16/3 round jacketed fixture head leads using waterproof wire connectors. Connect incoming ground and ground from receptacle to ground wire on base. **See wiring diagram.**



**WIRING DIAGRAM - 0-10**

Pull branch circuit wiring. Make watertight connections from primary branch circuit to pre-wired 16/5 round jacketed fixture head leads using waterproof wire connectors. Connect incoming ground and ground from receptacle to ground wire on base. **See wiring diagram.**

### Receptacle Installation Diagram



**WIRING DIAGRAM**

Pull branch circuit wiring. Make watertight connections from primary branch circuit to pre-wired 12ga solid wire receptacle leads using waterproof wire connectors. Connect incoming ground and ground from receptacle to ground wire on base. **See wiring diagram.**

**IMPORTANT SAFETY INFORMATION LISTED ON REVERSE  
READ, FOLLOW, AND SAVE ALL SAFETY AND INSTALLATION INSTRUCTIONS**

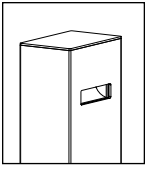


**B-K LIGHTING**

40429 Brickyard Drive • Madera, CA 93636 • USA  
559.438.5800 • FAX 559.438.5900  
www.bklighting.com • info@bklighting.com

RELEASE DATE  
01/02/2025

REFERENCE NUMBER  
INS-2889-00

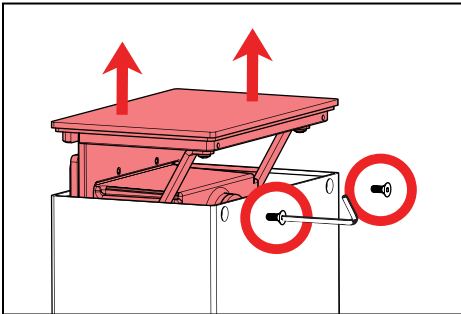


## Standard Installation

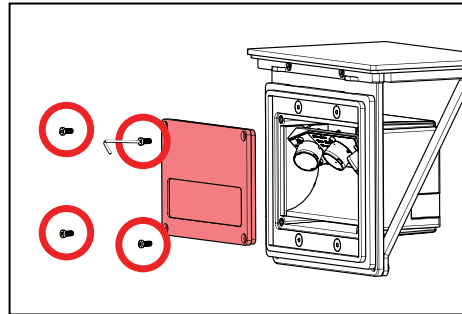
# MINI YUKON

BOLLARD - LED

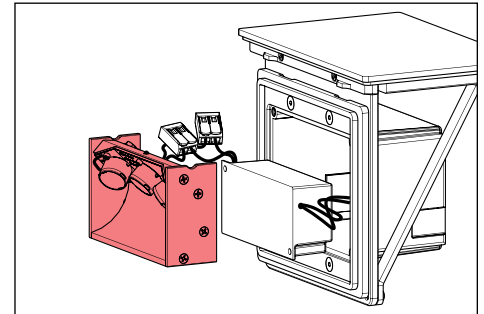
### LED/Driver Replacement



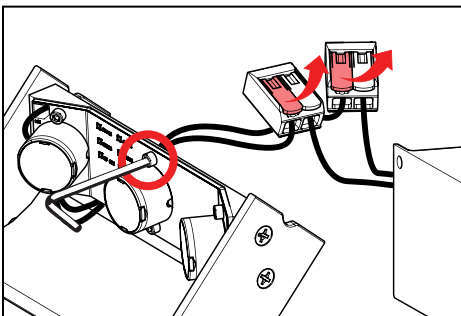
1. Open top of bollard to access fixture by loosening two (2) #6-32 screws using a 5/64" allen wrench. Lift fixture assembly out of bollard housing.



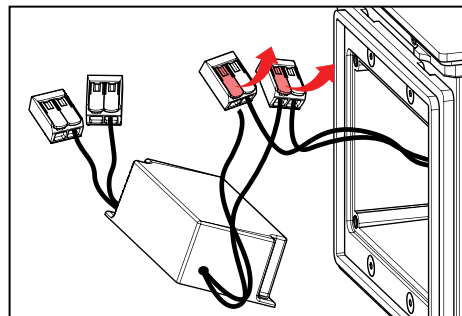
2. Remove fixture faceplate by loosening four (4) #4-40 screws using a 0.050" allen wrench.



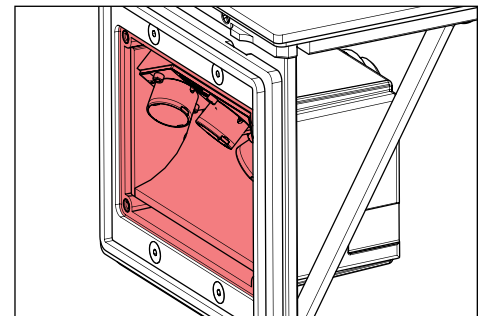
3. Remove fixture components from housing.



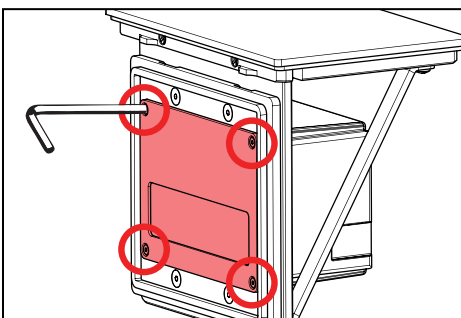
4. To replace led, disconnect led from driver using wago connectors. Loosen #2-56 led screws using a 5/64" allen wrench and remove led. Wipe off old thermal paste from the heatsink using isopropyl alcohol. Apply thermal paste to new LED and install onto heatsink. Reconnect led to driver.



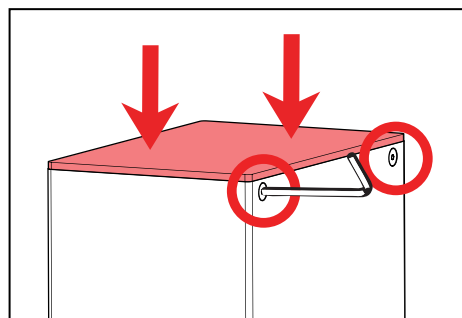
5. To replace driver, disconnect driver from led assembly and fixture leads. Remove wago connectors from driver to use on replacement driver. Connect new driver to led assembly and fixture leads.



6. Place fixture components into housing. Led assembly must sit within housing and not protrude past faceplate mounting surface. Re-position connections and fixture wiring if necessary.



7. Re-install faceplate. Evenly tighten four (4) #4-40 screws using a 0.050" allen wrench. Do not overtighten screws



8. Re-install top onto bollard housing. Secure by tightening two (2) #6-32 screws using a 5/64" allen wrench.

**IMPORTANT SAFETY INFORMATION LISTED ON REVERSE  
READ, FOLLOW, AND SAVE ALL SAFETY AND INSTALLATION INSTRUCTIONS**



# B-K LIGHTING

40429 Brickyard Drive • Madera, CA 93636 • USA  
559.438.5800 • FAX 559.438.5900  
www.bklighting.com • info@bklighting.com

RELEASE DATE  
01/02/2025

REFERENCE NUMBER  
INS-2889-00