

DATE:	PROJECT:	TYPE:
-------	----------	-------

CATALOG NUMBER LOGIC:



*\*Designed for use with LED transformer. Requires magnetic low voltage dimmer.*

*\*\*Please see Adjust-e-Lume photometry to determine desired intensity.*

**CATALOG NUMBER LOGIC**

Example: UL - F - AR - LED - e65 - SP - A9 - BLW - 12 - 11

**MATERIAL**

(Blank) - Aluminum B - Brass S - Stainless Steel

**SERIES**

UL - Recessed Uplight

**INSTALLATION**

F - Flush

**FIXTURE**

AR - ArtiStar

**SOURCE**

LED - with Integral Dimming Driver (25W min. load when dimmed)\*

**LED TYPE**

e64 - 7W LED/2700K	e79 - 7W LED/2700K 90CRI
e65 - 7W LED/3000K	e80 - 7W LED/3000K 90CRI
e66 - 7W LED/4000K	e81 - 7W LED/3500K 80CRI
e74 - 7W LED/Amber	

**OPTICS**

NSP - Narrow Spot	MFL - Medium Flood
SP - Spot	WFL - Wide Flood

**ADJUST-E-LUME OUTPUT INTENSITY\*\***

A9 (Standard), A8, A7, A6, A5, A4, A3, A2, A1

**FINISH (See page 2 for full-color swatches)**

Standard Finishes (BZP, BZW, BLP, BLW, WHP, WHW, SAP, VER)

Premium Finish (ABP, AMG, AQW, BCM, BGE, BPP, CAP, CMG, CRM, HUG, NBP, OCP, RMG, SDS, SMG, TXF, WCP, WIR)

Also available in RAL Finishes

Brass Finishes (MAC, POL, MIT)

Stainless Steel Finishes (MAC, POL)

**LENS TYPE**

12 - Soft Focus 13 - Rectilinear

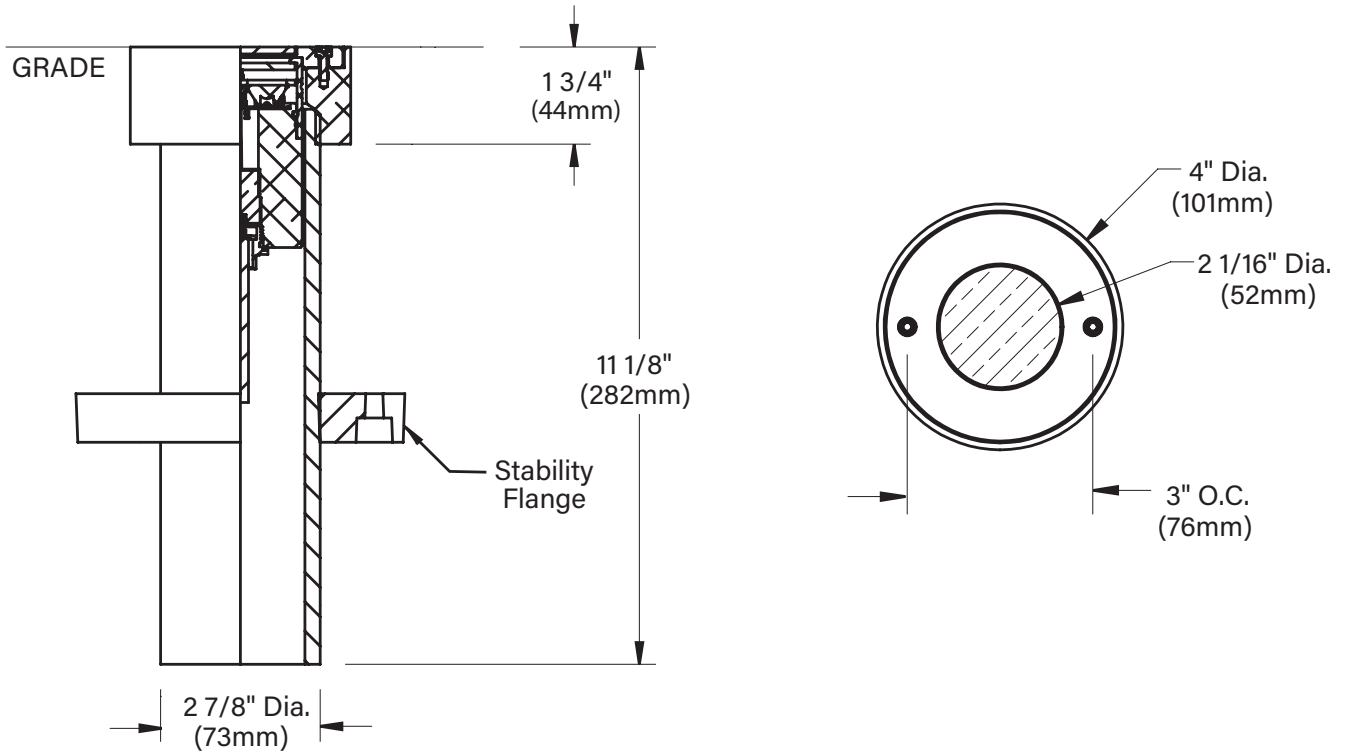
**SHIELDING**

11 - Honeycomb Baffle

**MOD OPTION**

25 - 25 Ft Leads

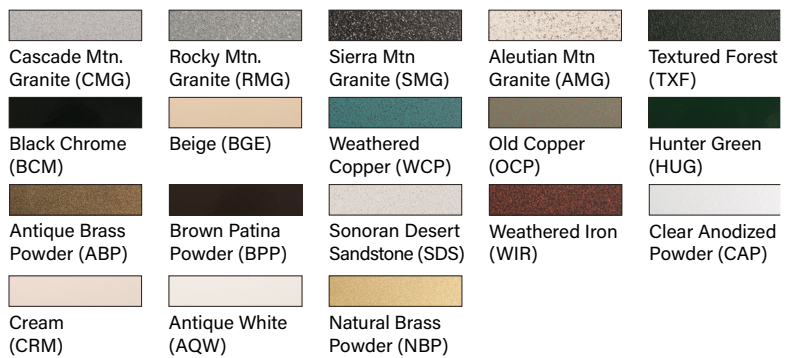
DATE: \_\_\_\_\_ PROJECT: \_\_\_\_\_ TYPE: \_\_\_\_\_



**STANDARD FINISHES**



**PREMIUM FINISHES**



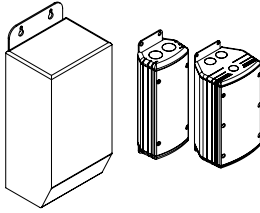
[Click Here](#) to view larger, full-color swatches of all available finishes on our website.

# ARTISTAR - RECESSED UPLIGHT FLUSH MOUNT (REMOTE TRANSFORMER)

IP66 RATED

DATE:	PROJECT:	TYPE:
-------	----------	-------




ACCESSORIES (Configure separately)



TR Series

UPMRM

## SPECIFICATIONS

ELECTRICAL	WATTAGE	7W LED
	ADJUST-E-LUME	Integral electronics allows dynamic lumen response at the individual fixture. Indexed (100% to 25% nom.) lumen output. Maintains output at desired level or may be changed as conditions require. Specify factory preset output intensity.
	WIRING	PVC coated, 18AWG, 150V, 60°C rated and certified to UL 1838 standard. Anti-Siphon Valve (ASV™) prevents “wicking” through conductor insulation.
	REMOTE TRANSFORMER	For use with 12VAC remote transformer or magnetic transformers only. B-K Lighting cannot guarantee performance with third party manufacturers’ transformers.
PHYSICAL	MATERIALS	Furnished in copper-free aluminum (6061-T6), brass (360) or stainless steel (304).
	BODY	Unibody design is fully machined from solid billet and provides enclosed, water-proof wireway and integral heat sink for maximum component life. High temperature, silicone ‘O’ Ring provides water-tight seal. Provided with hardcoat (Type III) black anodize finish for maximum corrosion resistance. Weather-tight cable connector with 5’0, 18Ga., 2 wire low voltage cable.
	HOUSING	Fixture provided with 2-7/8” dia., schedule 80 PVC housing for direct burial into soil or concrete. 6” dia., molded stability flange projects into substrate to simplify installation and reinforce housing stability. Faceplate Fully machined from solid billet. Countersunk holes provide for flush hardware mounting. Accommodates one (1) lens or louver media.
	LENS	Shock-resistant, tempered glass lens is factory adhered to fixture cap and provides hermetically sealed optical compartment.
	LED	Integrated solid state system and modular design with electrical quick disconnects is scalable for field upgrade and maintenance. High power, forward throw source complies with ANSI C78.377 binning requirements and exceeds ENERGY STAR® lumen maintenance requirements. LM-80 certified components. Integral, constant current driver. 12VAC/VDC input. 50/60Hz. Proprietary input control scheme achieves power factor correction and eliminates inrush current. Output, overvoltage, open-circuit, and short circuit protected. Inrush current limited to <1A (non-dimming). Conforms to Safety Std. C22.2 No. 250.13-12.
	DIMMING	Line voltage dimmable via magnetic low voltage dimmer with dedicated neutral conductor. For purposes of dimming: Remote magnetic transformer with LED loads should be loaded to 25% of the transformer VA (watts) rated value.
	OPTICS	Interchangeable, color-coded OPTIKIT modules permit field changes to optical distribution.
	INSTALLATION	Flush mount features integral concrete pour collar (CPC). Faceplate is suitable for walk-over and drive-over applications to 35,000 lbs. GVW. Surface Mount features fully machined copper-free aluminum installation collar.
	HARDWARE	Tamper-resistant, stainless steel hardware. Faceplate screws are black oxide treated for additional corrosion resistance.
	FINISH	StarGuard, our 15-stage chromate-free process cleans and conversion coats aluminum components prior to application of Class ‘A’ TGIC polyester powder coating and is RoHS compliant. Powder coat or metal finish options available for brass material and metal finish option only for stainless steel material.
  	WARRANTY	5-year limited warranty.
	CERTIFICATION & LISTING	ITL tested to IESNA LM-79. UL Listed. Certified to CAN/CSA/ ANSI Standards. RoHS compliant. Suitable for indoor or outdoor use and in wet locations. IP66 Rated. Made in USA with sustainable processes.

**B-K LIGHTING**

**MADE IN THE USA**

559.438.5800 | INFO@BKLIGHTING.COM | BKLIGHTING.COM

# LAMP & DRIVER DATA (e64, e65, e66, e74)

DATE:

PROJECT:

TYPE:

CATALOG NUMBER LOGIC:

DRIVER DATA	Input Volts	InRush Current	Operating	Dimmable	Operation Ambient Temperature
	12VAC/DC 50/60Hz	<250mA (non-dimmed)	700mA	Magnetic Low Voltage Dimmer	-22°F-194°F (-30°C - 90°C)

## LM79 DATA

BK No.	CCT (Typ.)	CRI (Typ.)	Input Watts (Typ.)
e64	2700K	80	7
	2700K	80	7
	2700K	80	7
	2700K	80	7
e65	3000K	80	7
	3000K	80	7
	3000K	80	7
	3000K	80	7
e66	4000K	80	7
	4000K	80	7
	4000K	80	7
	4000K	80	7
e74	Amber	80	7
	Amber	80	7
	Amber	80	7
	Amber	80	7

## L70 DATA

Minimum Rated Life (hrs.) 70% of initial lumens (L <sub>70</sub> )
50,000
50,000
50,000
50,000
50,000
50,000
50,000
50,000
50,000
50,000
50,000
50,000
50,000
50,000

## OPTICAL DATA

Angle	CBCP	Delivered Lumens	Multiplier
13°	5993	456	0.87
16°	4546	445	0.87
23°	1726	397	0.87
31°	1131	399	0.87
13°	6131	466	0.89
16°	4650	455	0.89
23	1766	406	0.89
31°	1157	409	0.89
13°	6889	524	
16°	5225	511	
23°	1984	456	
31°	1300	459	
13°	3,927	299	0.57
16°	2,978	291	0.57
23°	1,131	260	0.57
31°	741	262	0.57

## OPTICS

Optic	Angle
NSP - Narrow Spot	13°
SP - Spot	16°
MFL - Medium Flood	23°
WFL - Wide Flood	31°

**B-K LIGHTING**

MADE IN THE USA

559.438.5800 | INFO@BKLIGHTING.COM | BKLIGHTING.COM

THIS DOCUMENT CONTAINS PROPRIETARY INFORMATION OF B-K LIGHTING, INC. AND ITS RECEIPT OR POSSESSION DOES NOT CONVEY ANY RIGHTS TO REPRODUCE, DISCLOSE ITS CONTENTS, OR TO MANUFACTURE, USE OR SELL ANYTHING IT MAY DESCRIBE. REPRODUCTION, DISCLOSURE OR USE WITHOUT SPECIFIC WRITTEN AUTHORIZATION OF B-K LIGHTING, INC. IS STRICTLY FORBIDDEN.