

DATE: PROJECT: TYPE:

CATALOG NUMBER LOGIC:



*120V only

**Yields up to 60% loss in output

CATALOG NUMBER LOGIC
Example: YK-BO - LID - LHP - AL - AB - FSD-BCU - IN-WI-MIN - 120V - H24 - e190 - INC - BLP - RE1
SERIES
YK - Yukon
CATEGORY
BO - Bollard
DRIVER
LID - Line Voltage Driver
LIGHT SOURCE
LHP - LED High Power
MATERIAL
AL - Aluminum
MOUNT
AB - Anchor Base
STYLE
FSD-BCU - Faceplate Standard - Backplate Curved
VERSION
IN-FW-MIN - Indirect - Forward Throw - Mini
IN-WI-MIN - Indirect - Wide Throw - Mini
INPUT VOLTAGE
120V
277V
HEIGHT
H12 - 12"
H18 - 18"
H21 - 21"
H24 - 24"
LIGHT SOURCE
Available with Wide Throw
e190 - 8W/2700K/80CRI e194 - 8W/2700K/90CRI
e191 - 8W/3000K/80CRI e195 - 8W/3000K/90CRI
e192 - 8W/3500K/80CRI e202 - 7W/Amber
e193 - 8W/4000K/80CRI
Available with Forward Throw
e196 - 8W/2700K/80CRI e200 - 8W/2700K/90CRI
e197 - 8W/3000K/80CRI e201 - 8W/3000K/90CRI
e198 - 8W/3500K/80CRI e203 - 7W/Amber
e199 - 8W/4000K/80CRI
CONTROL
NON - Non Dimming
*ELV - ELV Dimming (For use with Electronic Low Voltage Dimmer)
*INC - INC Dimming (For use with Incandescent Dimmer)
010 - 0-10V Dimming (For use with 0-10 Dimmer)

DATE:

PROJECT:

TYPE:

CATALOG NUMBER LOGIC:



FINISH (See page 2 for full-color swatches)

Standard Finishes (BZP, BZW, BLP, BLW, WHP, WHW, SAP, VER)

Premium Finish (ABP, AMG, AQW, BCM, BGE, BPP, CAP, CMG, CRM, HUG, NBP, OCP, RMG, SDS, SMG, TXF, WCP, WIR)

Also available in RAL and Custom Finishes . (Color match may be required.)

OPTION

**BF - Black Wrinkle Finish On Backplate For Glare Reduction

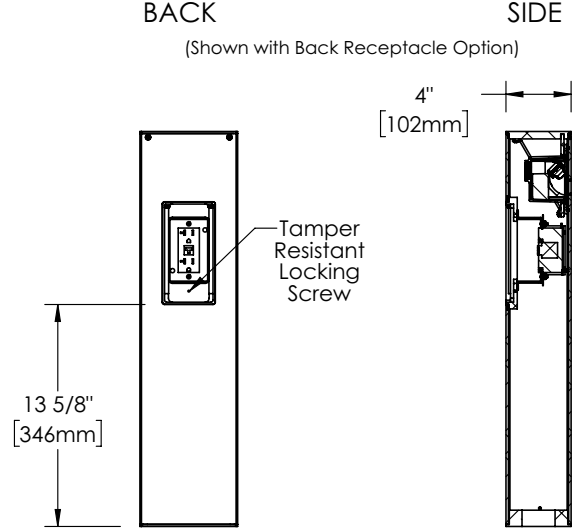
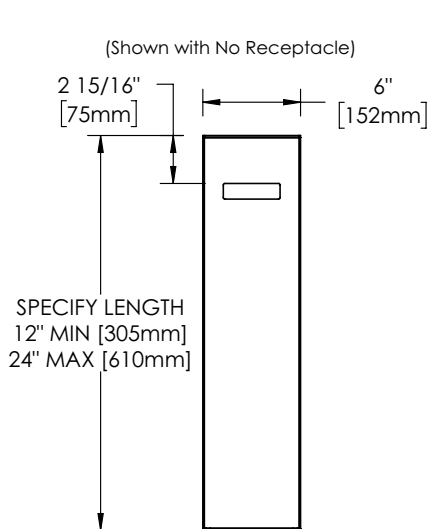
RE1 - Receptacle 20A GFCI (Only available in 24" height.)

RE2 - Receptacle w/ 1-A-USB and 1-C-USB port (Only available in 24" height.)

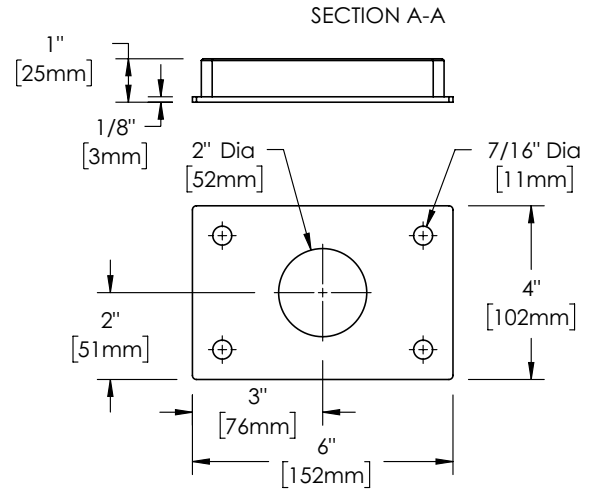
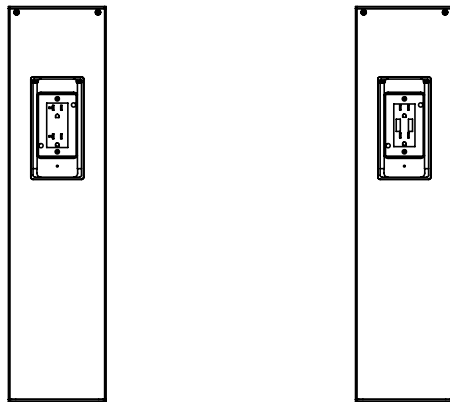
**120V only*

***Yields up to 60% loss in output*

DATE: _____ PROJECT: _____ TYPE: _____



(RE1 Shown with Duplex-GFCI) (RE2 Shown with Duplex-Dual with USB)

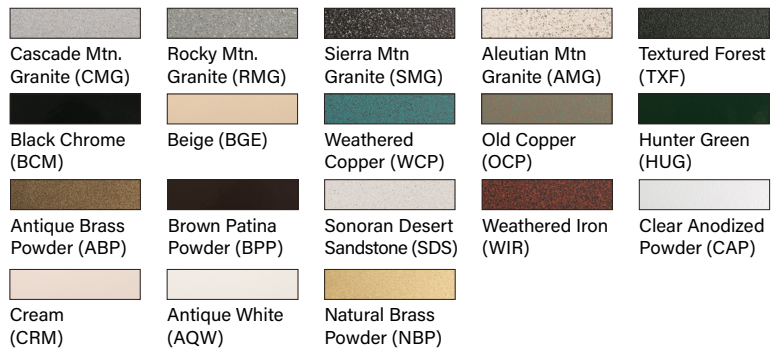


STANDARD ANCHOR BASE MOUNTING

STANDARD FINISHES



PREMIUM FINISHES



[Click Here](#) to view larger, full-color swatches of all available finishes on our website.

DATE:	PROJECT:	TYPE:
-------	----------	-------

ACCESSORIES (Configure separately)

SPECIFICATIONS

ELECTRICAL	WATTAGE	8W LEDs. 7W LEDs for Amber.
	OPERATING VOLTAGE	120,277 VAC
	WIRING	18GA Stranded, XLPE, 150°C, 600V wire / RE1 & RE2 - 12GA, Solid Copper Wire, PVC Coated, 90C, 600V.
	DRIVER	One (1) 750mA, Class II, constant current integral driver. 50/60 Hz. >0.9 Power Factor, 5A in-rush current (typical at 120 VAC), ≤20%THD (nominal at 120 VAC full load). Output over-voltage, over-current, and short circuit protection with auto recovery. Dimming driver for use with 0-10V, Incandescent, Standard TRIAC, or ELV dimmers. 10-100% range. *TRIAC/ELV dimming at 120 VAC only.
PHYSICAL	MATERIALS	Furnished in copper-free aluminum (6061-T6).
	HOUSING	Constructed of heavy gauge, die-formed, 5052 aluminum.
	IN-USE RECEPTACLE COVER	Furnished in copper-free aluminum (6061-T6).
	RE1 - RECEPTACLE 20A	GFCI, 20 Amp, 125 Volt, NEMA 5-20R, 2P, 3W Duplex Receptacle with Tamper Resistant Locking Screw.
	RE2 - RECEPTACLE W/ 1 USB-A AND 1 USB-C PORT	Combination Ports, One Type A, One Type C, Weather and Tamper Resistant 15A/125V Duplex, 5 Amp, 5 Volts USB Port.
	WATER MANAGEMENT	Anti-condensation and pressure equalization vent provides a durable barrier to eliminate damage to internal components.
	INSTALLATION	6"x4" black anodized aluminum base with galvanized steel anchor plate and 18" steel threaded rods. For use in poured concrete footing. May ship ahead upon request.
	FINISH	StarGuard®, our exclusive RoHS compliant 15-stage chromate-free process, cleans and conversion coats aluminum components prior to application of Class 'A' TGIC polyester powder coating.
	WARRANTY	5-year limited warranty.
CERTIFICATION & LISTING	UL tested to IESNA LM-79. UL Listed. Certified to CAN/CSA/ANSI Standards. RoHS compliant. Suitable for indoor or outdoor use, in wet locations. IP66 Rated. Made in the USA.	



LAMP & DRIVER DATA (MINI YUKON - INDIRECT)

DATE: _____ PROJECT: _____ TYPE: _____

LM79 DATA

BK No.	CCT (Typ.)	CRI (Typ.)	Fixture Watts
e190	2700	80	8
e196	2700	80	8
e191	3000	80	8
e197	3000	80	8
e192	3500	80	8
e198	3500	80	8
e193	4000	80	8
e199	4000	80	8
e194	2700	90	8
e200	2700	90	8
e195	3000	90	8
e201	3000	90	8
e202	Amber	-	7
e203	Amber	-	7

L70 Data

50,000
50,000
50,000
50,000
50,000
50,000
50,000
50,000
50,000
50,000
50,000
50,000
50,000
50,000

OPTICAL DATA

Throw	Roadway Class	BUG	Del. Lumens	Multiplier
1 - Wide	Type II	B0 U3 G1	322	0.81
2 - Forward	Type II	B0 U3 G1	429	0.81
1 - Wide	Type II	B0 U3 G1	372	0.94
2 - Forward	Type II	B0 U3 G1	496	0.94
1 - Wide	Type II	B0 U3 G1	364	0.92
2 - Forward	Type II	B0 U3 G1	485	0.92
1 - Wide	Type II	B0 U3 G1	396	1.00
2 - Forward	Type II	B0 U3 G1	527	1.00
1 - Wide	Type II	B0 U3 G1	320	0.81
2 - Forward	Type II	B0 U3 G1	426	0.81
1 - Wide	Type II	B0 U3 G1	301	0.81
2 - Forward	Type II	B0 U3 G1	401	0.81
1 - Wide	Type II	B0 U2 G0	73	0.23
2 - Forward	Type II	B0 U2 G0	97	0.23

B-K LIGHTING

MADE IN THE USA

559.438.5800 | INFO@BKLIGHTING.COM | BKLIGHTING.COM

THIS DOCUMENT CONTAINS PROPRIETARY INFORMATION OF B-K LIGHTING, INC. AND ITS RECEIPT OR POSSESSION DOES NOT CONVEY ANY RIGHTS TO REPRODUCE, DISCLOSE ITS CONTENTS, OR TO MANUFACTURE, USE OR SELL ANYTHING IT MAY DESCRIBE. REPRODUCTION, DISCLOSURE OR USE WITHOUT SPECIFIC WRITTEN AUTHORIZATION OF B-K LIGHTING, INC. IS STRICTLY FORBIDDEN.