

| | | |
|-------|----------|-------|
| DATE: | PROJECT: | TYPE: |
|-------|----------|-------|

CATALOG NUMBER LOGIC:



CATALOG NUMBER LOGIC

Example: PM1 - TS-18 - TRSS75 - 1 - BZW - 120 - SC

MATERIAL

Aluminum

SERIES

PM1 - Universal Power Module 1

MOUNTING

TS-Length - Tree Strap (Specify adjustable strap length) 18" Standard Min.

TRANSFORMER TYPE

TRSS75 - 75VA Electronic Transformer*

TRe20 - TRe20 Electronic Transformer**

FIXTURE MOUNTING

1 - Offset

2 - Center***

FINISH (See page 2 for full-color swatches)

Standard Finishes (BZP, BZW, BLP, BLW, WHP, WHW, SAP, VER)

Premium Finish (ABP, AMG, AQW, BCM, BGE, BPP, CAP, CMG, CRM, HUG, NBP, OCP, RMG, SDS, SMG, TXF, WCP, WIR)

(Also available in RAL Finishes. See submittal SUB-1439-00)

INPUT VOLTAGE

(Blank) - For use with TRe20 Electronic Transformer**

120 - 120 VAC (For use with TRSS75)

230 - 230 VAC**** (Electronic only, for use with TRSS75)

277 - 277 VAC**** (For use with TRSS75)

OPTIONS

SC - Safety Cable for use with Tree Strap Mount. Cable length to match strap length. 18" Standard Min.

MB - Mounting Brackets

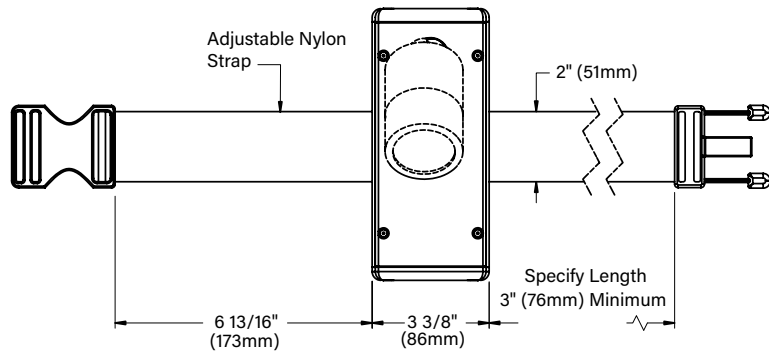
*For use with MR16 LED and Halogen lamps.

**For use with LED fixtures. 105-300 VAC. 50/60 Hz. non-dimming.

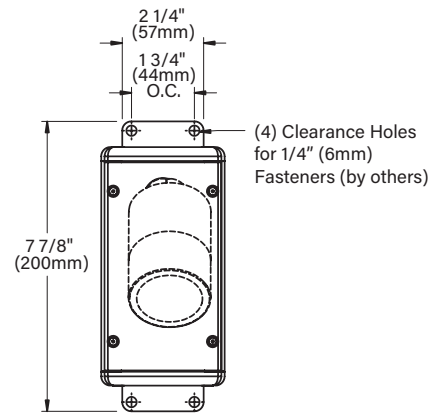
***Center fixture position available with TRSS-75 transformer type only.

****Non-dimming.

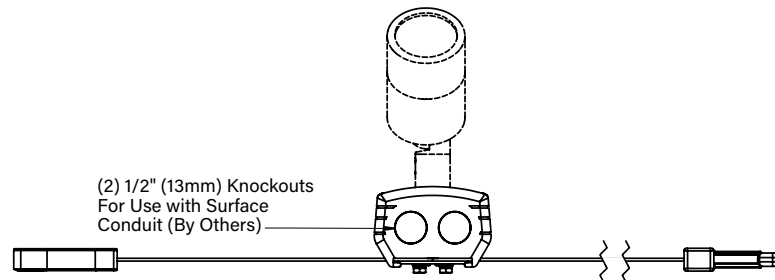
DATE: _____ PROJECT: _____ TYPE: _____



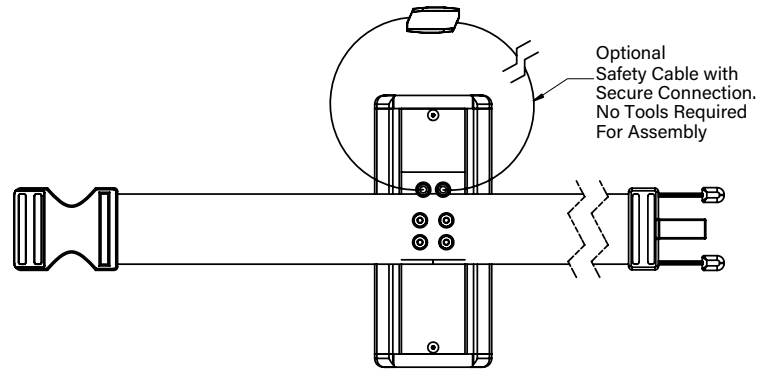
FRONT VIEW



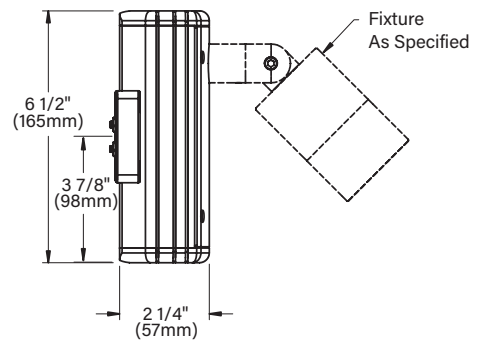
OPTIONAL MOUNTING BRACKET



END VIEW



SAFETY CABLE

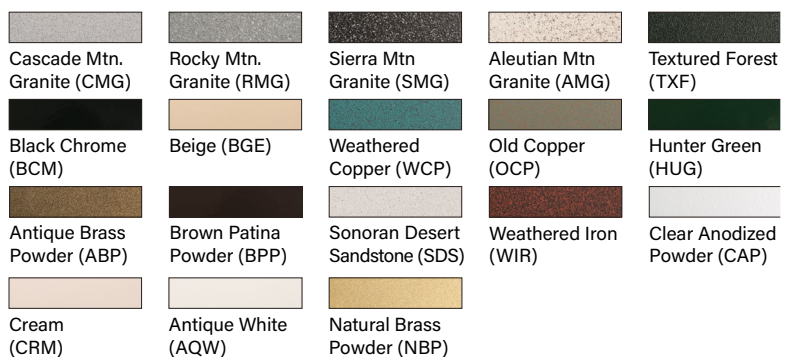


SIDE VIEW

STANDARD FINISHES



PREMIUM FINISHES






[Click Here](#) to view larger, full-color swatches of all available finishes on our website.

| | | |
|-------|----------|-------|
| DATE: | PROJECT: | TYPE: |
|-------|----------|-------|

ACCESSORIES (Configure separately)

SPECIFICATIONS

| | | |
|---|------------------------------|--|
| Electrical | TRSS-75 TRANSFORMER | For use with halogen lamps. One (1) 75VA electronic low voltage transformer. 120, 230, or 277VAC primary voltage. 120V is dimmable (40W minimum load) using electronic low voltage dimmer. 10 watt minimum load (non-dimmed). 50/60Hz. 11.6VAC secondary voltage. >.93 Power Factor. <20% THD. Operating frequency >10kHz. Primary overload protection and RFI filtration. Soft start circuitry extends lamp life. |
| | TRe20 ELECTRONIC TRANSFORMER | One (1) 20VA electronic low voltage transformer 105-330VAC primary voltage. 1W minimum load. 20W maximum load. 50/60Hz. Non-dimming. 12VDC secondary voltage. >90% Power Factor. >80% efficiency (under full load). Inrush current limited to <5A max. Thermal shutdown with autorestart. Overload, short circuit, and open circuit protection. |
| PHYSICAL | TREE INSTALLATION | Tree Strap mounting system facilitates non-invasive installation. Adjustable nylon strap is mold and mildew resistant and will not hinder tree growth. Stainless steel safety cable maintains UPM mounting when nylon strap is disengaged. |
| | HOUSING | Copper free, aluminum extrusion with die cast end caps. Surface mounted with flow through back channel to prevent water and debris collection. Machined aluminum cover with countersunk holes for flush hardware installation. Tamper-resistant, captive, black oxide stainless steel mounting screws. Front access for ease of installation and inspection. Two (2) 1/2" NPT female conduit entries per end cap for through wiring. |
| | INSTALLATION TETHER | Stainless steel cable with integral loop allows cover to temporarily suspend from housing during installation to simplify wire connection and component attachment. |
| | PATENTED KNOCKOUTS | Four (4) 1/2" NPT, machined aluminum knockouts. High temperature, silicone 'O' Ring for water-tight seal. Patented design allows knockout to be reinserted without compromising seal integrity. |
| | FINISH | StarGuard, our 15-stage, chromate-free process cleans and conversion coats aluminum components prior to application of Class 'A' TGIC polyester powder coating and is RoHS compliant. Finish to match fixture. (specified separately). |
| | WARRANTY | 5-year limited warranty. |
| | CERTIFICATION & LISTING | Certified to CAN/CSA/ANSI Standards. UL Listed. NEMA 4X / IP66 Rated Enclosure. RoHs compliant. Made in USA with sustainable processes. |
|    | | |

DATE:

PROJECT:

TYPE:

CATALOG NUMBER LOGIC:



CATALOG NUMBER LOGIC

Example: PM1 - SM - TRSS75 - 1 - BZW - 120

MATERIAL

Aluminum

SERIES

PM1 - Universal Power Module 1

MOUNTING

SM - Surface Mount

TRANSFORMER TYPE

TRSS75 - 75VA Electronic Transformer*

TRe20 - TRe20 Electronic Transformer**

FIXTURE MOUNTING

1 - Offset

2 - Center***

FINISH (See page 2 for full-color swatches)

Standard Finishes (BZP, BZW, BLP, BLW, WHP, WHW, SAP, VER)

Premium Finish (ABP, AMG, AQW, BCM, BGE, BPP, CAP, CMG, CRM, HUG, NBP, OCP, RMG, SDS, SMG, TXF, WCP, WIR)

(Also available in RAL Finishes. See submittal SUB-1439-00)

INPUT VOLTAGE

(Blank) - For use with TRe20 Electronic Transformer**

120 - 120 VAC (For use with TRSS75)

230 - 230 VAC**** (Electronic only, for use with TRSS75)

277 - 277 VAC**** (For use with TRSS75)

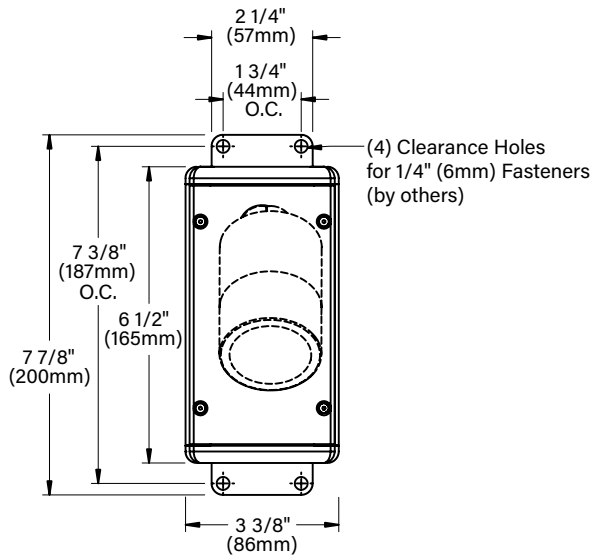
*For use with MR16 LED and Halogen lamps.

**For use with LED fixtures. 105-300 VAC. 50/60 Hz. non-dimming.

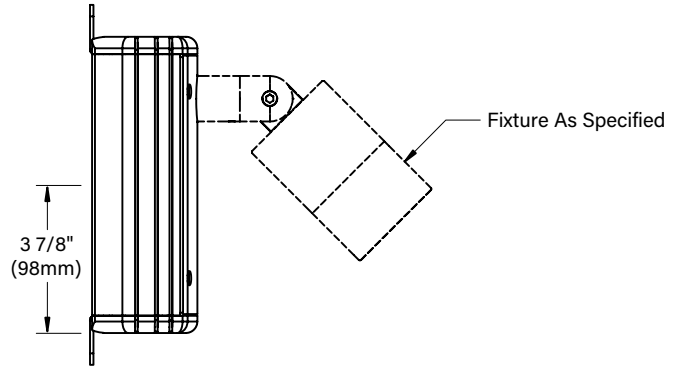
***Center fixture position available with TRSS-75 transformer type only.

****Non-dimming.

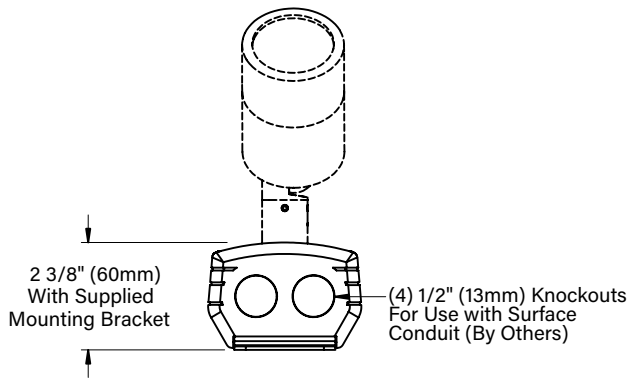
DATE: _____ PROJECT: _____ TYPE: _____



FRONT VIEW



SIDE VIEW

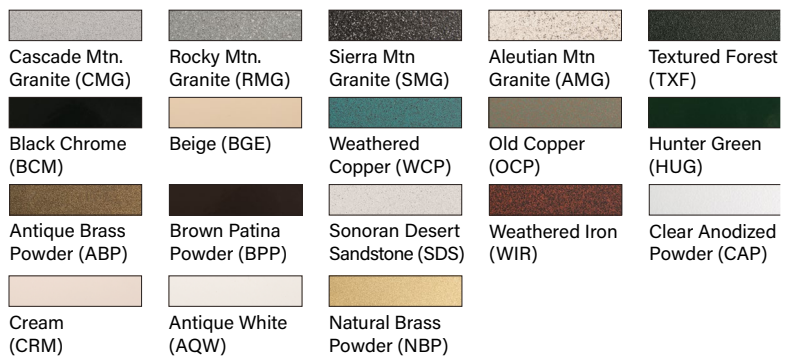


END VIEW

STANDARD FINISHES



PREMIUM FINISHES



[Click Here](#) to view larger, full-color swatches of all available finishes on our website.

| | | |
|-------|----------|-------|
| DATE: | PROJECT: | TYPE: |
|-------|----------|-------|

ACCESSORIES (Configure separately)

SPECIFICATIONS

| | | |
|------------|------------------------------|--|
| Electrical | TRSS-75 TRANSFORMER | For use with halogen lamps. One (1) 75VA electronic low voltage transformer. 120, 230, or 277VAC primary voltage. 120V is dimmable (40W minimum load) using electronic low voltage dimmer. 10 watt minimum load (non-dimmed). 50/60Hz. 11.6VAC secondary voltage. >.93 Power Factor. <20% THD. Operating frequency >10kHz. Primary overload protection and RFI filtration. Soft start circuitry extends lamp life. |
| | TRe20 ELECTRONIC TRANSFORMER | One (1) 20VA electronic low voltage transformer 105-330VAC primary voltage. 1W minimum load. 20W maximum load. 50/60Hz. Non-dimming. 12VDC secondary voltage. >90% Power Factor. >80% efficiency (under full load). Inrush current limited to <5A max. Thermal shutdown with autorestart. Overload, short circuit, and open circuit protection. |
| PHYSICAL | SURFACE MOUNT | For use with side entry, surface conduits. Stainless steel mounting brackets provide for direct anchor to architectural surfaces in any orientation. |
| | HOUSING | Copper free, aluminum extrusion with die cast end caps. Surface mounted with flow through back channel to prevent water and debris collection. Machined aluminum cover with countersunk holes for flush hardware installation. Tamper-resistant, captive, black oxide stainless steel mounting screws. Front access for ease of installation and inspection. Two (2) 1/2" NPT female conduit entries per end cap for through wiring. |
| | INSTALLATION TETHER | Stainless steel cable with integral loop allows cover to temporarily suspend from housing during installation to simplify wire connection and component attachment. |
| | PATENTED KNOCKOUTS | Four (4) 1/2" NPT, machined aluminum knockouts. High temperature, silicone 'O' Ring for water-tight seal. Patented design allows knockout to be reinserted without compromising seal integrity. |
| | FINISH | StarGuard, our 15-stage, chromate-free process cleans and conversion coats aluminum components prior to application of Class 'A' TGIC polyester powder coating and is RoHS compliant. Finish to match fixture. (specified separately). |
| | WARRANTY | 5-year limited warranty. |
| | CERTIFICATION & LISTING | Certified to CAN/CSA/ANSI Standards. UL Listed. NEMA 4X / IP66 Rated Enclosure. RoHs compliant. Made in USA with sustainable processes. |



| | | |
|-------|----------|-------|
| DATE: | PROJECT: | TYPE: |
|-------|----------|-------|

CATALOG NUMBER LOGIC:



CATALOG NUMBER LOGIC

Example: PM1 - CR - TRSS75 - 1 - BZW - 120 - MB

MATERIAL

Aluminum

SERIES

PM1 - Universal Power Module 1

MOUNTING

CR - Round Camlock Canopy (Recessed Junction Box)

CT - Rectangular Camlock Canopy (Recessed Junction Box)

TRANSFORMER TYPE

TRSS75 - 75VA Electronic Transformer*

TRe20 - TRe20 Electronic Transformer**

FIXTURE MOUNTING

1 - Offset

2 - Center***

FINISH (See page 2 for full-color swatches)

Standard Finishes (BZP, BZW, BLP, BLW, WHP, WHW, SAP, VER)

Premium Finish (ABP, AMG, AQW, BCM, BGE, BPP, CAP, CMG, CRM, HUG, NBP, OCP, RMG, SDS, SMG, TXF, WCP, WIR)

(Also available in RAL Finishes. See submittal SUB-1439-00)

INPUT VOLTAGE

(Blank) - For use with TRe20 Electronic Transformer**

120 - 120 VAC (For use with TRSS75)

230 - 230 VAC**** (Electronic only, for use with TRSS75)

277 - 277 VAC**** (For use with TRSS75)

OPTIONS

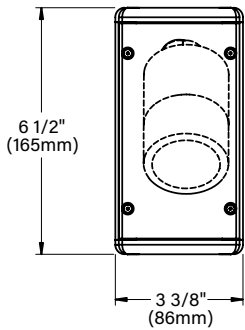
MB - Mounting Brackets

*For use with MR16 LED and Halogen lamps.

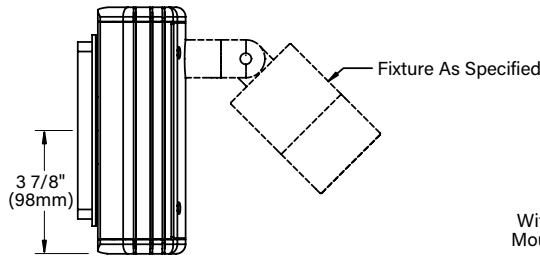
**For use with LED fixtures. 105-300 VAC. 50/60 Hz. non-dimming.

***Center fixture position available with TRSS-75 transformer type only.
****Non-dimming.

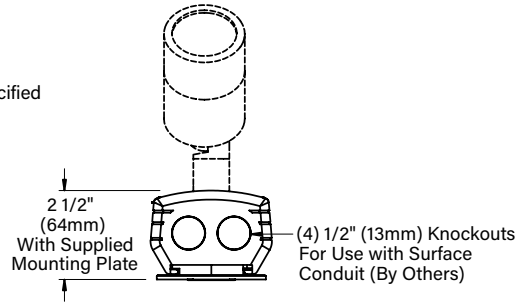
DATE: _____ PROJECT: _____ TYPE: _____



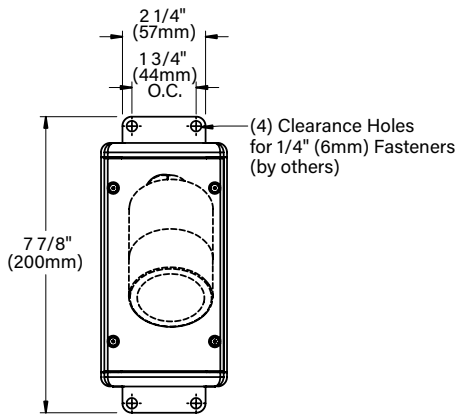
FRONT VIEW



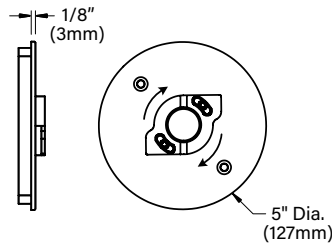
SIDE VIEW



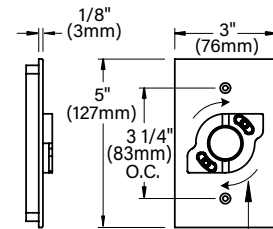
END VIEW



OPTIONAL MOUNTING BRACKET



ROUND CAMLOCK CANOPY

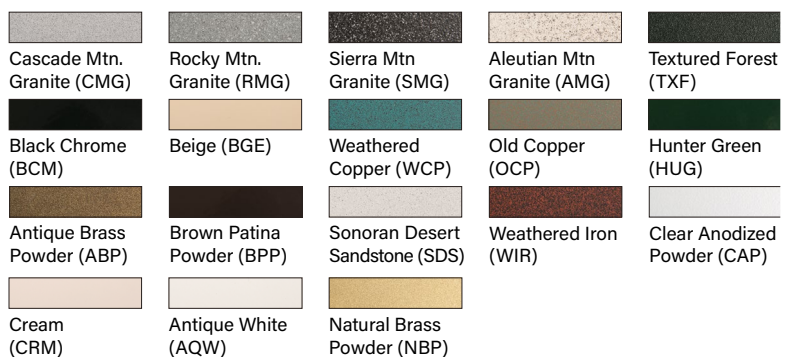


RECTANGULAR CAMLOCK CANOPY

STANDARD FINISHES



PREMIUM FINISHES



[Click Here](#) to view larger, full-color swatches of all available finishes on our website.

| | | |
|-------|----------|-------|
| DATE: | PROJECT: | TYPE: |
|-------|----------|-------|

ACCESSORIES (Configure separately)

SPECIFICATIONS

| | | |
|------------|--|--|
| Electrical | TRSS-75 TRANSFORMER | For use with halogen lamps. One (1) 75VA electronic low voltage transformer. 120, 230, or 277VAC primary voltage. 120V is dimmable (40W minimum load) using electronic low voltage dimmer. 10 watt minimum load (non-dimmed). 50/60Hz. 11.6VAC secondary voltage. >.93 Power Factor. <20% THD. Operating frequency >10kHz. Primary overload protection and RFI filtration. Soft start circuitry extends lamp life. |
| | TRe20 ELECTRONIC TRANSFORMER | One (1) 20VA electronic low voltage transformer 105-330VAC primary voltage. 1W minimum load. 20W maximum load. 50/60Hz. Non-dimming. 12VDC secondary voltage. >90% Power Factor. >80% efficiency (under full load). Inrush current limited to <5A max. Thermal shutdown with autorestart. Overload, short circuit, and open circuit protection. |
| PHYSICAL | ROUND CAMLOCK CANOPY (RECESSED JUNCTION BOX) | 5" dia., machined aluminum construction. Includes stainless steel universal mounting ring for use with 4" octagonal junction box. Two (2) tamper-resistant, black oxide stainless steel mounting screws. 1/8" thick HT-805A silicone foam gasket for water-tight seal. Integral Camlock provides additional 30° adjustment for precision alignment of UPM regardless of junction box orientation. Integral wiper seal maintains water-tight integrity between UPM and junction box. Optional stainless steel mounting brackets may be specified to provide additional anchor to architectural surface. |
| | RECTANGULAR CAMLOCK CANOPY (RECESSED JUNCTION BOX) | Copper free, aluminum extrusion with die cast end caps. Surface mounted with flow through back channel to prevent water and debris collection. Machined aluminum cover with countersunk holes for flush hardware installation. Tamper-resistant, captive, black oxide stainless steel mounting screws. Front access for ease of installation and inspection. Two (2) 1/2" NPT female conduit entries per end cap for through wiring. |
| | HOUSING | Copper free, aluminum extrusion with die cast end caps. Surface mounted with flow through back channel to prevent water and debris collection. Machined aluminum cover with countersunk holes for flush hardware installation. Tamper-resistant, captive, black oxide stainless steel mounting screws. Front access for ease of installation and inspection. Two (2) 1/2" NPT female conduit entries per end cap for through wiring. |
| | INSTALLATION TETHER | Stainless steel cable with integral loop allows cover to temporarily suspend from housing during installation to simplify wire connection and component attachment. |
| | PATENTED KNOCKOUTS | Four (4) 1/2" NPT, machined aluminum knockouts. High temperature, silicone 'O' Ring for water-tight seal. Patented design allows knockout to be reinserted without compromising seal integrity. |
| | FINISH | StarGuard, our 15-stage, chromate-free process cleans and conversion coats aluminum components prior to application of Class 'A' TGIC polyester powder coating and is RoHS compliant. Finish to match fixture. (specified separately). |
| | WARRANTY CERTIFICATION & LISTING | 5-year limited warranty. Certified to CAN/CSA/ANSI Standards. UL Listed. NEMA 4X / IP66 Rated Enclosure. RoHs compliant. Made in USA with sustainable processes. |



| | | |
|-------|----------|-------|
| DATE: | PROJECT: | TYPE: |
|-------|----------|-------|

CATALOG NUMBER LOGIC:



CATALOG NUMBER LOGIC

Example: PM1 - MU - TRSS75 - 1 - BZW - 120

MATERIAL

Aluminum

SERIES

PM1 - Universal Power Module 1

MOUNTING

MU - Monument Mount (with 18" Power Pipe)

TRANSFORMER TYPE

TRSS75 - 75VA Electronic Transformer*

TRe20 - TRe20 Electronic Transformer**

FIXTURE MOUNTING

1 - Offset

2 - Center***

FINISH (See page 2 for full-color swatches)

Standard Finishes (BZP, BZW, BLP, BLW, WHP, WHW, SAP, VER)

Premium Finish (ABP, AMG, AQW, BCM, BGE, BPP, CAP, CMG, CRM, HUG, NBP, OCP, RMG, SDS, SMG, TXF, WCP, WIR)

(Also available in RAL Finishes. See submittal SUB-1439-00)

INPUT VOLTAGE

(Blank) - For use with TRe20 Electronic Transformer**

120 - 120 VAC (For use with TRSS75)

230 - 230 VAC**** (Electronic only, for use with TRSS75)

277 - 277 VAC**** (For use with TRSS75)

*For use with MR16 LED and Halogen lamps.

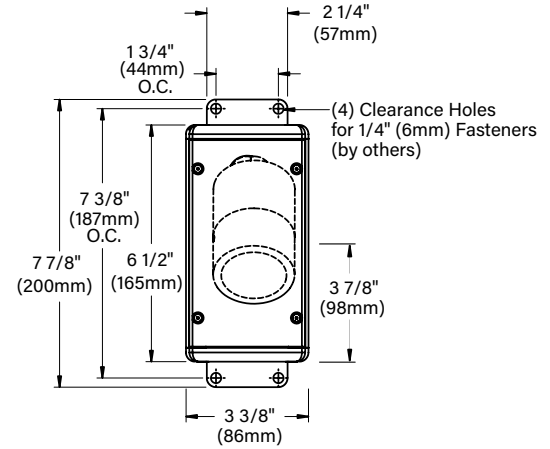
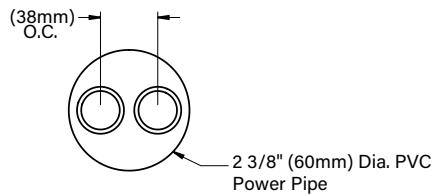
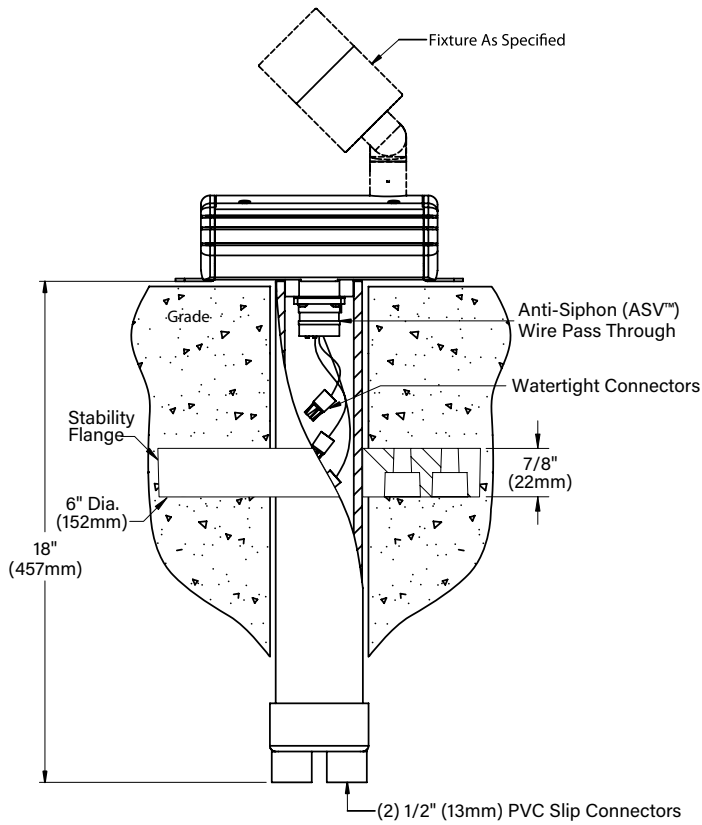
**For use with LED fixtures. 105-300 VAC. 50/60 Hz. non-dimming.

***Center fixture position available with TRSS-75 transformer type only.

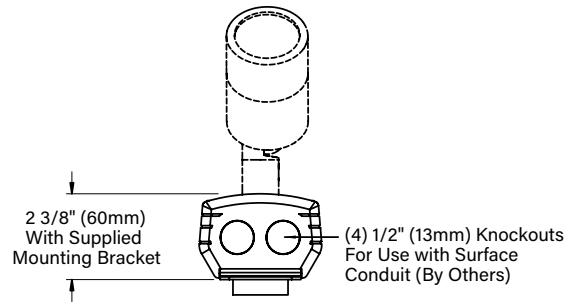
****Non-dimming.

DATE: _____ PROJECT: _____ TYPE: _____

SIDE VIEW



FRONT VIEW

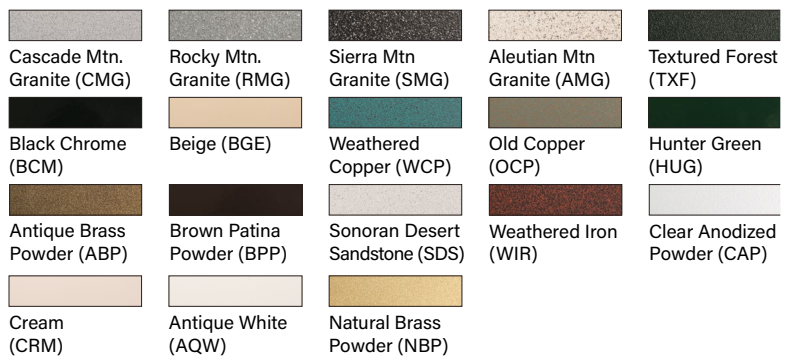


END VIEW

STANDARD FINISHES



PREMIUM FINISHES






[Click Here](#) to view larger, full-color swatches of all available finishes on our website.

| | | |
|-------|----------|-------|
| DATE: | PROJECT: | TYPE: |
|-------|----------|-------|

ACCESSORIES (Configure separately)

SPECIFICATIONS

| | | |
|---|------------------------------|---|
| Electrical | TRSS-75 TRANSFORMER | For use with halogen lamps. One (1) 75VA electronic low voltage transformer. 120, 230, or 277VAC primary voltage. 120V is dimmable (40W minimum load) using electronic low voltage dimmer. 10 watt minimum load (non-dimmed). 50/60Hz. 11.6VAC secondary voltage. >.93 Power Factor. <20% THD. Operating frequency >10kHz. Primary overload protection and RFI filtration. Soft start circuitry extends lamp life. |
| | TRe20 ELECTRONIC TRANSFORMER | One (1) 20VA electronic low voltage transformer 105-330VAC primary voltage. 1W minimum load. 20W maximum load. 50/60Hz. Non-dimming. 12VDC secondary voltage. >90% Power Factor. >80% efficiency (under full load). Inrush current limited to <5A max. Thermal shutdown with autorestart. Overload, short circuit, and open circuit protection. |
| PHYSICAL | GROUND/MONUMENT INSTALLATION | For use at grade level with integration of Power Pipe system, which provides direct burial wireway in concrete or soil. 6" dia., molded stability flange projects into substrate to simplify installation and reinforce housing stability. Two (2) 1/2" PVC slip connectors for through wiring. Includes stainless steel mounting brackets for additional anchor to architectural surface. Anti-Siphon Valve (ASV) prevents "wicking" through conductor insulation. Three (3) silicone filled wire nuts supplied for water-tight line connection. Maximum two (2) #10 & one (1) #18. Minimum one (1) #12 & one (1) #18. |
| | HOUSING | Copper free, aluminum extrusion with die cast end caps. Surface mounted with flow through back channel to prevent water and debris collection. Machined aluminum cover with countersunk holes for flush hardware installation. Tamper-resistant, captive, black oxide stainless steel mounting screws. Front access for ease of installation and inspection. Two (2) 1/2" NPT female conduit entries per end cap for through wiring. |
| | INSTALLATION TETHER | Stainless steel cable with integral loop allows cover to temporarily suspend from housing during installation to simplify wire connection and component attachment. |
| | PATENTED KNOCKOUTS | Four (4) 1/2" NPT, machined aluminum knockouts. High temperature, silicone 'O' Ring for water-tight seal. Patented design allows knockout to be reinserted without compromising seal integrity. |
| | FINISH | StarGuard, our 15-stage, chromate-free process cleans and conversion coats aluminum components prior to application of Class 'A' TGIC polyester powder coating and is RoHS compliant. Finish to match fixture. (specified separately). |
| | WARRANTY | 5-year limited warranty. |
| | CERTIFICATION & LISTING | Certified to CAN/CSA/ANSI Standards. UL Listed. NEMA 4X / IP66 Rated Enclosure. RoHs compliant. Made in USA with sustainable processes. |
|    | | |