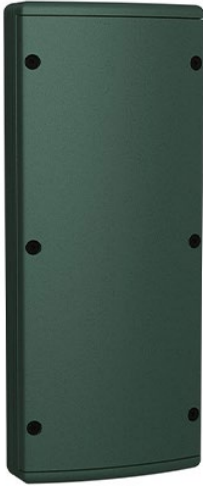


DATE:	PROJECT:	TYPE:
-------	----------	-------

CATALOG NUMBER LOGIC:



**CATALOG NUMBER LOGIC**

Example: PM2D - TS-24 - TRSS75 - BZW - 120 - SC

**MATERIAL**

Aluminum

**SERIES**

PM2D - Universal Power Module 2 Dual

**MOUNTING**

TS-Length - Tree Strap (Specify adjustable strap length) 18" Standard Min.

**TRANSFORMER TYPE**

TRSS75 - (2) 75VA Electronic Transformer\*

TRe20 - (2) TRe20 Electronic Transformer\*\*

**FINISH**

Standard Finishes (BZP, BZW, BLP, BLW, WHP, WHW, SAP, VER)

Premium Finish (ABP, AMG, AQW, BCM, BGE, BPP, CAP, CMG, CRM, HUG, NBP, OCP, RMG, SDS, SMG, TXF, WCP, WIR)

(Also available in RAL Finishes. See submittal SUB-1439-00)

**INPUT VOLTAGE**

(Blank) - For use with TRe20 Electronic Transformers\*\*

120 - 120 VAC (For use with TRSS75)

230 - 230 VAC\*\*\* (Electronic only, for use with TRSS75)

277 - 277 VAC\*\*\* (For use with TRSS75)

**OPTIONS**

SC - Safety Cable for use with Tree Strap Mount. Cable length to match strap length. 18" Standard Min.

MB - Mounting Brackets

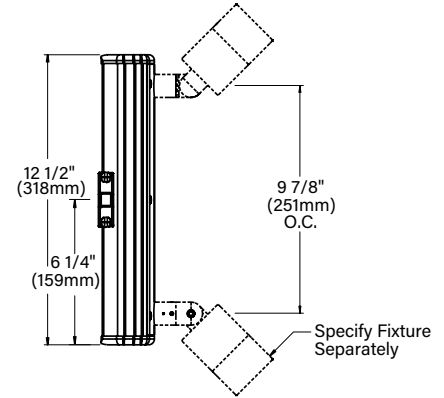
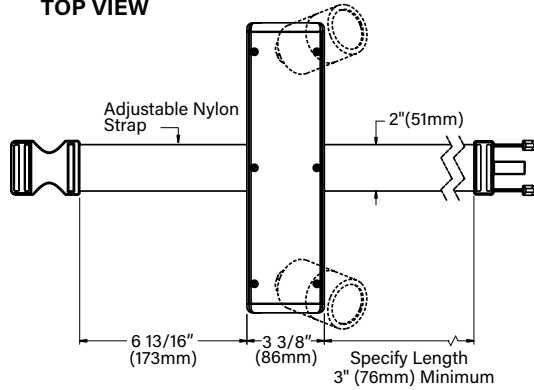
\*For use with MR16 LED and Halogen lamps.

\*\*For use with LED fixtures. 105-300 VAC. 50/60 Hz. non-dimming.

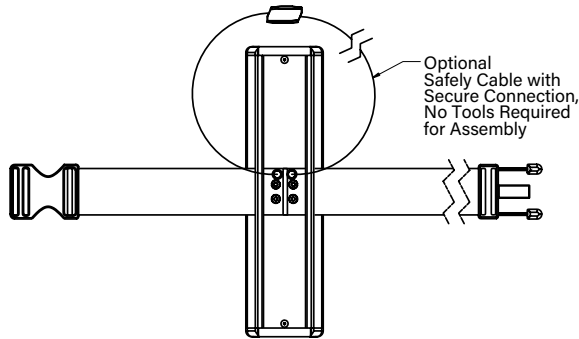
\*\*\*Non-dimming.

DATE: \_\_\_\_\_ PROJECT: \_\_\_\_\_ TYPE: \_\_\_\_\_

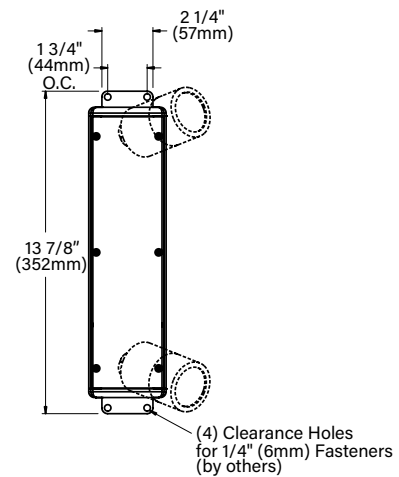
**TOP VIEW**



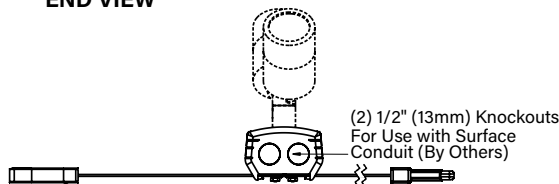
**SAFETY CABLE**



**SIDE VIEW**



**END VIEW**



**OPTIONAL MOUNTING BRACKET**

**STANDARD FINISHES**



**PREMIUM FINISHES**



[Click Here](#) to view larger, full-color swatches of all available finishes on our website.

DATE:	PROJECT:	TYPE:
-------	----------	-------

ACCESSORIES (Configure separately)

## SPECIFICATIONS

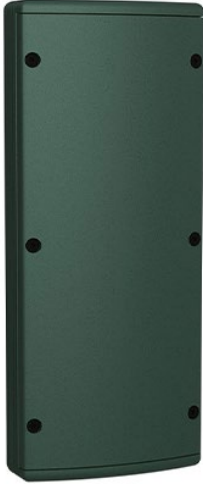
Electrical	TRSS-75 TRANSFORMER	For use with halogen lamps. One (1) 75VA electronic low voltage transformer. 120, 230, or 277VAC primary voltage. 120V is dimmable (40W minimum load) using electronic low voltage dimmer. 10 watt minimum load (non-dimmed). 50/60Hz. 11.6VAC secondary voltage. >.93 Power Factor. <20% THD. Operating frequency >10kHz. Primary overload protection and RFI filtration. Soft start circuitry extends lamp life.
	TRe20 ELECTRONIC TRANSFORMER	One (1) 20VA electronic low voltage transformer 105-330VAC primary voltage. 1W minimum load. 20W maximum load. 50/60Hz. Non-dimming. 12VDC secondary voltage. >90% Power Factor. >80% efficiency (under full load). Inrush current limited to <5A max. Thermal shutdown with autorestart. Overload, short circuit, and open circuit protection.
PHYSICAL	TREE INSTALLATION	Tree Strap mounting system facilitates non-invasive installation. Adjustable nylon strap is mold and mildew resistant and will not hinder tree growth. Stainless steel safety cable maintains UPM mounting when nylon strap is disengaged.
	HOUSING	Copper free, aluminum extrusion with die cast end caps. Surface mounted with flow through back channel to prevent water and debris collection. Machined aluminum cover with countersunk holes for flush hardware installation. Tamper-resistant, captive, black oxide stainless steel mounting screws. Front access for ease of installation and inspection. Two (2) 1/2" NPT female conduit entries per end cap for through wiring.
	INSTALLATION TETHER	Stainless steel cable with integral loop allows cover to temporarily suspend from housing during installation to simplify wire connection and component attachment.
	PATENTED KNOCKOUTS	Four (4) 1/2" NPT, machined aluminum knockouts. High temperature, silicone 'O' Ring for water-tight seal. Patented design allows knockout to be reinserted without compromising seal integrity.
	FINISH	StarGuard, our 15-stage, chromate-free process cleans and conversion coats aluminum components prior to application of Class 'A' TGIC polyester powder coating and is RoHS compliant. Finish to match fixture. (specified separately).
	WARRANTY	5-year limited warranty.
	CERTIFICATION & LISTING	Certified to CAN/CSA/ANSI Standards. UL Listed. NEMA 4X / IP66 Rated Enclosure. RoHs compliant. Made in USA with sustainable processes.



PM2D LOW VOLTAGE (DUAL ELECTRONIC TRANSFORMERS - SURFACE MOUNT) ORDER FIXTURES SEPARATELY.

DATE:	PROJECT:	TYPE:
-------	----------	-------

CATALOG NUMBER LOGIC:



**CATALOG NUMBER LOGIC**

Example: PM2D - SM - TRSS75 - BZW - 120

**MATERIAL**

Aluminum

**SERIES**

PM2D - Universal Power Module 2 Dual

**MOUNTING**

SM - Surface Mount

**TRANSFORMER TYPE**

TRSS75 - (2) 75VA Electronic Transformer\*

TRe20 - (2) TRe20 Electronic Transformer\*\*

**FINISH**

Standard Finishes (BZP, BZW, BLP, BLW, WHP, WHW, SAP, VER)

Premium Finish (ABP, AMG, AQW, BCM, BGE, BPP, CAP, CMG, CRM, HUG, NBP, OCP, RMG, SDS, SMG, TXF, WCP, WIR)

(Also available in RAL Finishes. See submittal SUB-1439-00)

**INPUT VOLTAGE**

(Blank) - For use with TRe20 Electronic Transformers\*\*

120 - 120 VAC (For use with TRSS75)

230 - 230 VAC\*\*\* (Electronic only, for use with TRSS75)

277 - 277 VAC\*\*\* (For use with TRSS75)

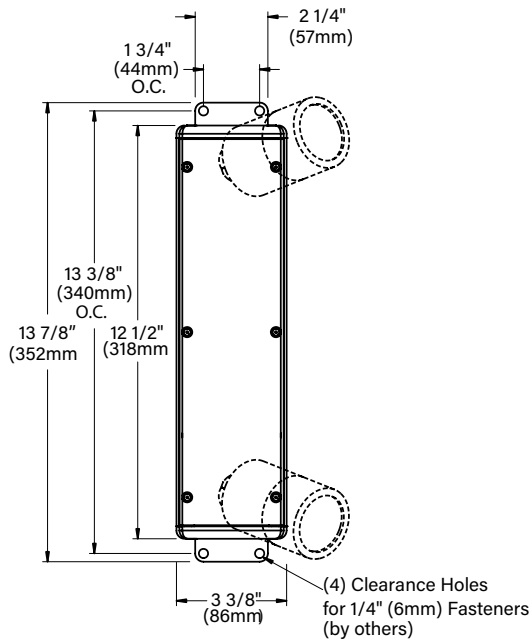
\*For use with MR16 LED and Halogen lamps.

\*\*For use with LED fixtures. 105-300 VAC. 50/60 Hz. non-dimming.

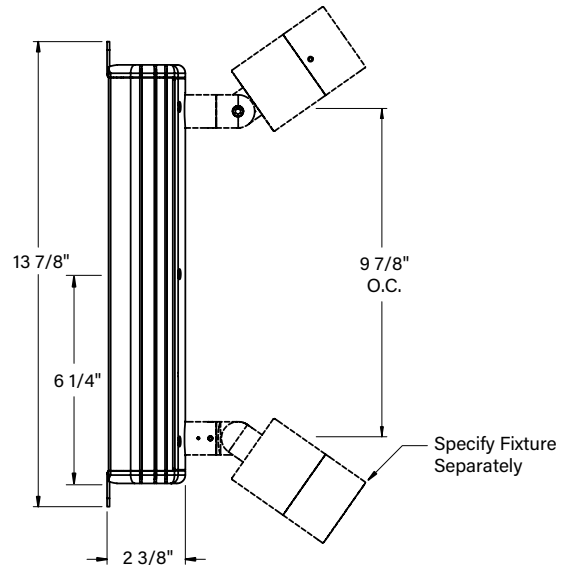
\*\*\*Non-dimming.

**PM2D LOW VOLTAGE (DUAL ELECTRONIC TRANSFORMERS - SURFACE MOUNT) ORDER FIXTURES SEPARATELY.**

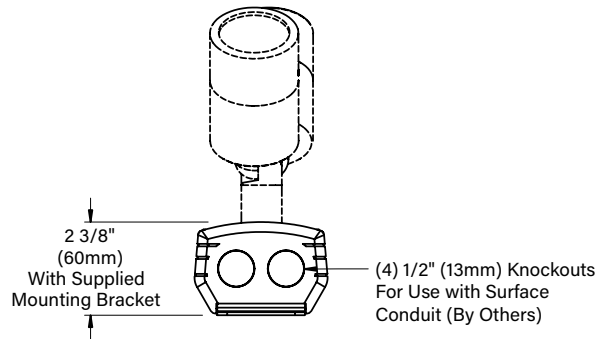
DATE: \_\_\_\_\_ PROJECT: \_\_\_\_\_ TYPE: \_\_\_\_\_



**TOP VIEW**



**SIDE VIEW**

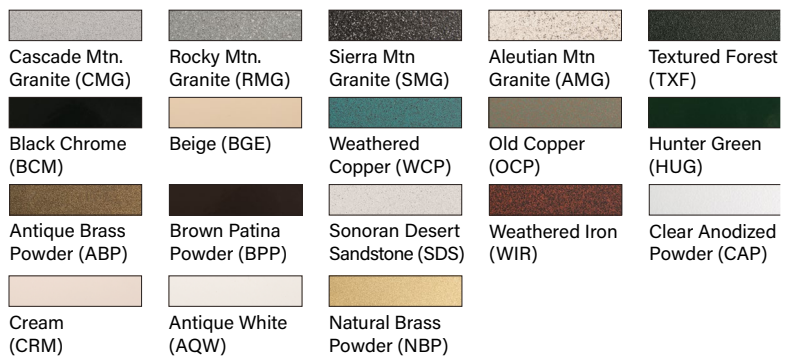


**END VIEW**

**STANDARD FINISHES**



**PREMIUM FINISHES**



[Click Here](#) to view larger, full-color swatches of all available finishes on our website.

**PM2D LOW VOLTAGE (DUAL ELECTRONIC TRANSFORMERS - SURFACE MOUNT) ORDER FIXTURES SEPARATELY.**

DATE:	PROJECT:	TYPE:
-------	----------	-------

ACCESSORIES (Configure separately)

**SPECIFICATIONS**

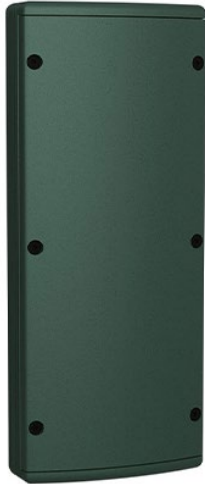
Electrical	TRSS-75 TRANSFORMER	For use with halogen lamps. One (1) 75VA electronic low voltage transformer. 120, 230, or 277VAC primary voltage. 120V is dimmable (40W minimum load) using electronic low voltage dimmer. 10 watt minimum load (non-dimmed). 50/60Hz. 11.6VAC secondary voltage. >.93 Power Factor. <20% THD. Operating frequency >10kHz. Primary overload protection and RFI filtration. Soft start circuitry extends lamp life.
	TRe20 ELECTRONIC TRANSFORMER	One (1) 20VA electronic low voltage transformer 105-330VAC primary voltage. 1W minimum load. 20W maximum load. 50/60Hz. Non-dimming. 12VDC secondary voltage. >90% Power Factor. >80% efficiency (under full load). Inrush current limited to <5A max. Thermal shutdown with autorestart. Overload, short circuit, and open circuit protection.
PHYSICAL	SURFACE MOUNT	For use with side entry, surface conduits. Stainless steel mounting brackets provide for direct anchor to architectural surfaces in any orientation.
	HOUSING	Copper free, aluminum extrusion with die cast end caps. Surface mounted with flow through back channel to prevent water and debris collection. Machined aluminum cover with countersunk holes for flush hardware installation. Tamper-resistant, captive, black oxide stainless steel mounting screws. Front access for ease of installation and inspection. Two (2) 1/2" NPT female conduit entries per end cap for through wiring.
	INSTALLATION TETHER	Stainless steel cable with integral loop allows cover to temporarily suspend from housing during installation to simplify wire connection and component attachment.
	PATENTED KNOCKOUTS	Four (4) 1/2" NPT, machined aluminum knockouts. High temperature, silicone 'O' Ring for water-tight seal. Patented design allows knockout to be reinserted without compromising seal integrity.
	FINISH	StarGuard, our 15-stage, chromate-free process cleans and conversion coats aluminum components prior to application of Class 'A' TGIC polyester powder coating and is RoHS compliant. Finish to match fixture. (specified separately).
	WARRANTY	5-year limited warranty.
	CERTIFICATION & LISTING	Certified to CAN/CSA/ANSI Standards. UL Listed. NEMA 4X / IP66 Rated Enclosure. RoHs compliant. Made in USA with sustainable processes.



<b>B-K LIGHTING</b>	<b>MADE IN THE USA</b>	559.438.5800   <a href="mailto:INFO@BKLIGHTING.COM">INFO@BKLIGHTING.COM</a>   <a href="http://BKLIGHTING.COM">BKLIGHTING.COM</a>
---------------------	------------------------	--

DATE:	PROJECT:	TYPE:
-------	----------	-------

CATALOG NUMBER LOGIC:



**CATALOG NUMBER LOGIC**

Example: PM2D - CT - TRSS75 - BZW - 120 - MB

**MATERIAL**

Aluminum

**SERIES**

PM2D - Universal Power Module 2 Dual

**MOUNTING**

CR - Round Camlock Canopy (Recessed Junction Box)

CT - Rectangular Camlock Canopy (Recessed Junction Box)

**TRANSFORMER TYPE**

TRSS75 - (2) 75VA Electronic Transformer\*

TRe20 - (2) TRe20 Electronic Transformer\*\*

**FINISH**

Standard Finishes (BZP, BZW, BLP, BLW, WHP, WHW, SAP, VER)

Premium Finish (ABP, AMG, AQW, BCM, BGE, BPP, CAP, CMG, CRM, HUG, NBP, OCP, RMG, SDS, SMG, TXF, WCP, WIR)

(Also available in RAL Finishes. See submittal SUB-1439-00)

**INPUT VOLTAGE**

(Blank) - For use with TRe20 Electronic Transformers\*\*

120 - 120 VAC (For use with TRSS75)

230 - 230 VAC\*\*\* (Electronic only, for use with TRSS75)

277 - 277 VAC\*\*\* (For use with TRSS75)

**OPTIONS**

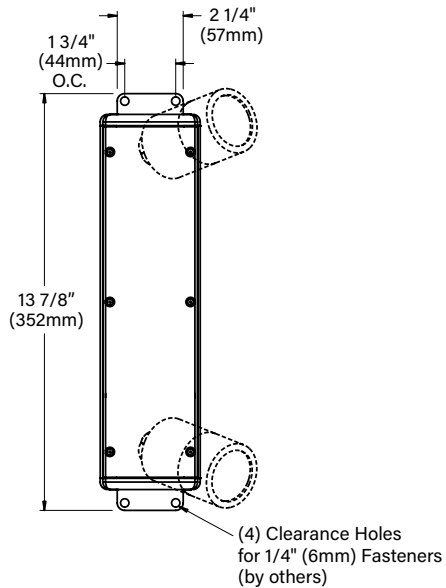
MB - Mounting Brackets

\*For use with MR16 LED and Halogen lamps.

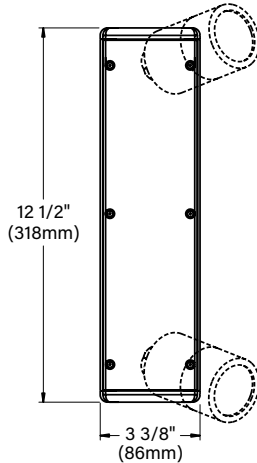
\*\*For use with LED fixtures. 105-300 VAC. 50/60 Hz. non-dimming.

\*\*\*Non-dimming.

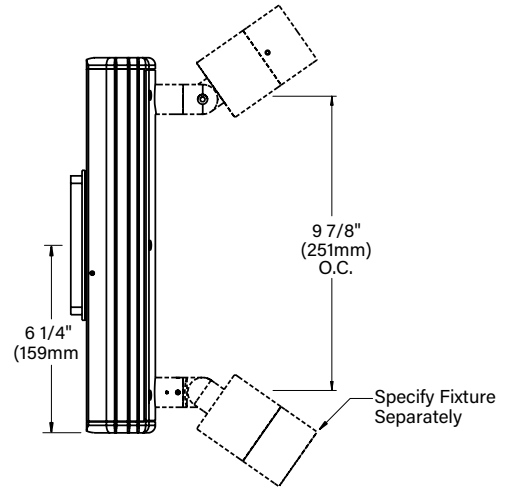
DATE: \_\_\_\_\_ PROJECT: \_\_\_\_\_ TYPE: \_\_\_\_\_



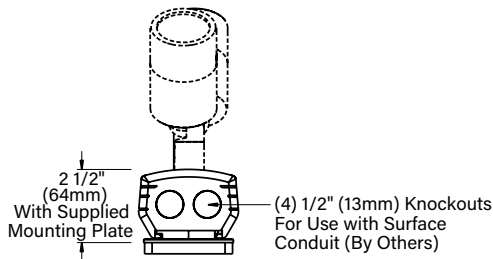
OPTIONAL MOUNTING BRACKET



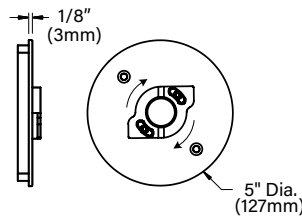
TOP VIEW



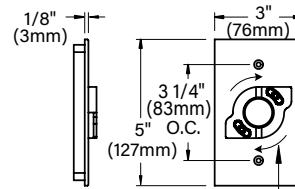
SIDE VIEW



END VIEW



ROUND CAMLOCK™ CANOPY

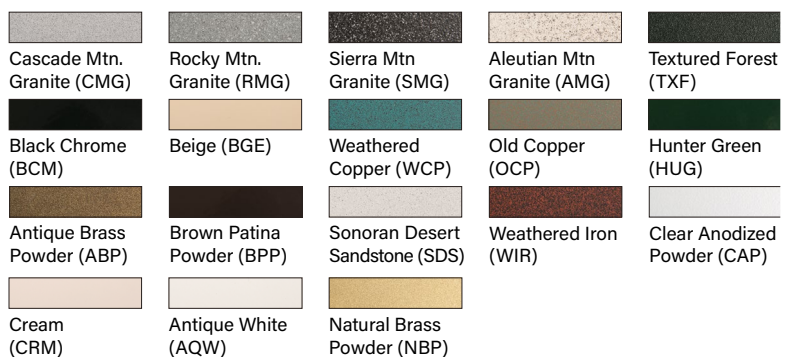


RECTANGULAR CAMLOCK™ CANOPY

STANDARD FINISHES



PREMIUM FINISHES



[Click Here](#) to view larger, full-color swatches of all available finishes on our website.



DATE:	PROJECT:	TYPE:
-------	----------	-------

ACCESSORIES (Configure separately)

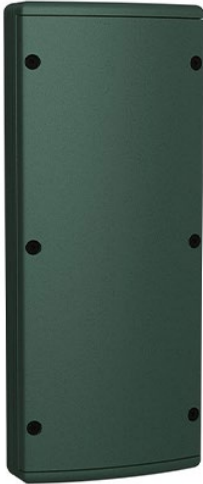
## SPECIFICATIONS

Electrical	TRSS-75 TRANSFORMER	For use with halogen lamps. One (1) 75VA electronic low voltage transformer. 120, 230, or 277VAC primary voltage. 120V is dimmable (40W minimum load) using electronic low voltage dimmer. 10 watt minimum load (non-dimmed). 50/60Hz. 11.6VAC secondary voltage. >.93 Power Factor. <20% THD. Operating frequency >10kHz. Primary overload protection and RFI filtration. Soft start circuitry extends lamp life.
	TRe20 ELECTRONIC TRANSFORMER	One (1) 20VA electronic low voltage transformer 105-330VAC primary voltage. 1W minimum load. 20W maximum load. 50/60Hz. Non-dimming. 12VDC secondary voltage. >90% Power Factor. >80% efficiency (under full load). Inrush current limited to <5A max. Thermal shutdown with autorestart. Overload, short circuit, and open circuit protection.
PHYSICAL	ROUND CAMLOCK CANOPY (RECESSED JUNCTION BOX)	5" dia., machined aluminum construction. Includes stainless steel universal mounting ring for use with 4" octagonal junction box. Two (2) tamper-resistant, black oxide stainless steel mounting screws. 1/8" thick HT-805A silicone foam gasket for water-tight seal. Integral Camlock provides additional 30° adjustment for precision alignment of UPM regardless of junction box orientation. Integral wiper seal maintains water-tight integrity between UPM and junction box. Optional stainless steel mounting brackets may be specified to provide additional anchor to architectural surface.
	RECTANGULAR CAMLOCK CANOPY (RECESSED JUNCTION BOX)	Copper free, aluminum extrusion with die cast end caps. Surface mounted with flow through back channel to prevent water and debris collection. Machined aluminum cover with countersunk holes for flush hardware installation. Tamper-resistant, captive, black oxide stainless steel mounting screws. Front access for ease of installation and inspection. Two (2) 1/2" NPT female conduit entries per end cap for through wiring.
	HOUSING	Copper free, aluminum extrusion with die cast end caps. Surface mounted with flow through back channel to prevent water and debris collection. Machined aluminum cover with countersunk holes for flush hardware installation. Tamper-resistant, captive, black oxide stainless steel mounting screws. Front access for ease of installation and inspection. Two (2) 1/2" NPT female conduit entries per end cap for through wiring.
	INSTALLATION TETHER	Stainless steel cable with integral loop allows cover to temporarily suspend from housing during installation to simplify wire connection and component attachment.
	PATENTED KNOCKOUTS	Four (4) 1/2" NPT, machined aluminum knockouts. High temperature, silicone 'O' Ring for water-tight seal. Patented design allows knockout to be reinserted without compromising seal integrity.
	FINISH	StarGuard, our 15-stage, chromate-free process cleans and conversion coats aluminum components prior to application of Class 'A' TGIC polyester powder coating and is RoHS compliant. Finish to match fixture. (specified separately).
	WARRANTY	5-year limited warranty.
CERTIFICATION & LISTING	Certified to CAN/CSA/ANSI Standards. UL Listed. NEMA 4X / IP66 Rated Enclosure. RoHs compliant. Made in USA with sustainable processes.	



DATE:	PROJECT:	TYPE:
-------	----------	-------

CATALOG NUMBER LOGIC:



**CATALOG NUMBER LOGIC**

Example: PM2D - MU - TRSS75 - BZW - 120

**MATERIAL**

Aluminum

**SERIES**

PM2D - Universal Power Module 2 Dual

**MOUNTING**

MU - Monument Mount (with 18" Power Pipe)

**TRANSFORMER TYPE**

TRSS75 - (2) 75VA Electronic Transformer\*

TRe20 - (2) TRe20 Electronic Transformer\*\*

**FINISH**

Standard Finishes (BZP, BZW, BLP, BLW, WHP, WHW, SAP, VER)

Premium Finish (ABP, AMG, AQW, BCM, BGE, BPP, CAP, CMG, CRM, HUG, NBP, OCP, RMG, SDS, SMG, TXF, WCP, WIR)

(Also available in RAL Finishes. See submittal SUB-1439-00)

**INPUT VOLTAGE**

(Blank) - For use with TRe20 Electronic Transformers\*\*

120 - 120 VAC (For use with TRSS75)

230 - 230 VAC\*\*\* (Electronic only, for use with TRSS75)

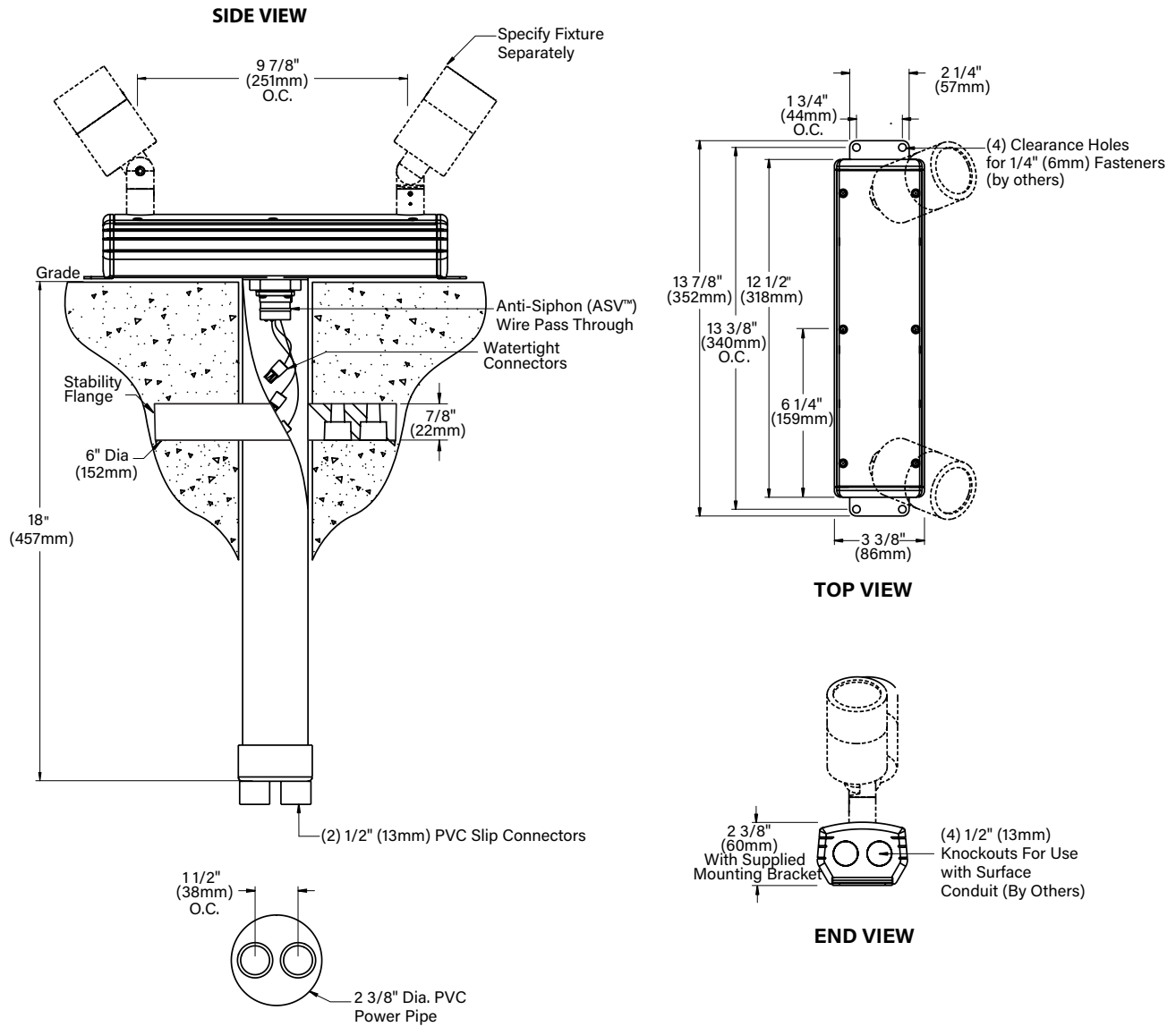
277 - 277 VAC\*\*\* (For use with TRSS75)

\*For use with MR16 LED and Halogen lamps.

\*\*For use with LED fixtures. 105-300 VAC. 50/60 Hz. non-dimming.

\*\*\*Non-dimming.

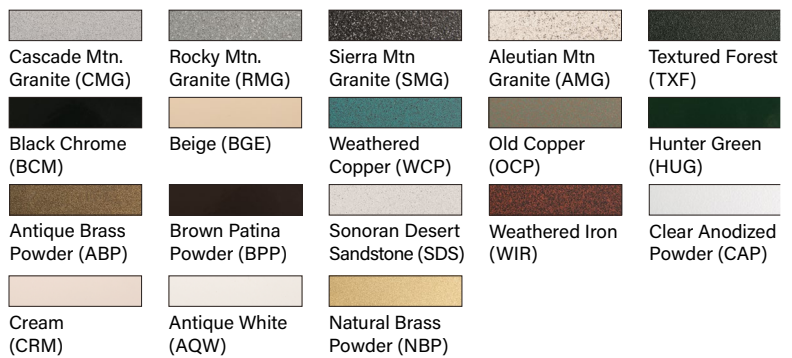
DATE: \_\_\_\_\_ PROJECT: \_\_\_\_\_ TYPE: \_\_\_\_\_



**STANDARD FINISHES**



**PREMIUM FINISHES**



[Click Here](#) to view larger, full-color swatches of all available finishes on our website.

DATE:	PROJECT:	TYPE:
-------	----------	-------

ACCESSORIES (Configure separately)

## SPECIFICATIONS

Electrical	TRSS-75 TRANSFORMER	For use with halogen lamps. One (1) 75VA electronic low voltage transformer. 120, 230, or 277VAC primary voltage. 120V is dimmable (40W minimum load) using electronic low voltage dimmer. 10 watt minimum load (non-dimmed). 50/60Hz. 11.6VAC secondary voltage. >.93 Power Factor. <20% THD. Operating frequency >10kHz. Primary overload protection and RFI filtration. Soft start circuitry extends lamp life.
	TRe20 ELECTRONIC TRANSFORMER	One (1) 20VA electronic low voltage transformer 105-330VAC primary voltage. 1W minimum load. 20W maximum load. 50/60Hz. Non-dimming. 12VDC secondary voltage. >90% Power Factor. >80% efficiency (under full load). Inrush current limited to <5A max. Thermal shutdown with autorestart. Overload, short circuit, and open circuit protection.
PHYSICAL	GROUND/MONUMENT INSTALLATION	For use at grade level with integration of Power Pipe system, which provides direct burial wireway in concrete or soil. 6" dia., molded stability flange projects into substrate to simplify installation and reinforce housing stability. Two (2) 1/2" PVC slip connectors for through wiring. Includes stainless steel mounting brackets for additional anchor to architectural surface. Anti-Siphon Valve (ASV) prevents "wicking" through conductor insulation. Three (3) silicone filled wire nuts supplied for water-tight line connection. Maximum two (2) #10 & one (1) #18. Minimum one (1) #12 & one (1) #18.
	HOUSING	Copper free, aluminum extrusion with die cast end caps. Surface mounted with flow through back channel to prevent water and debris collection. Machined aluminum cover with countersunk holes for flush hardware installation. Tamper-resistant, captive, black oxide stainless steel mounting screws. Front access for ease of installation and inspection. Two (2) 1/2" NPT female conduit entries per end cap for through wiring.
	INSTALLATION TETHER	Stainless steel cable with integral loop allows cover to temporarily suspend from housing during installation to simplify wire connection and component attachment.
	PATENTED KNOCKOUTS	Four (4) 1/2" NPT, machined aluminum knockouts. High temperature, silicone 'O' Ring for water-tight seal. Patented design allows knockout to be reinserted without compromising seal integrity.
	FINISH	StarGuard, our 15-stage, chromate-free process cleans and conversion coats aluminum components prior to application of Class 'A' TGIC polyester powder coating and is RoHS compliant. Finish to match fixture. (specified separately).
	WARRANTY	5-year limited warranty.
CERTIFICATION & LISTING	Certified to CAN/CSA/ANSI Standards. UL Listed. NEMA 4X / IP66 Rated Enclosure. RoHs compliant. Made in USA with sustainable processes.	

