

DATE:	PROJECT:	TYPE:
-------	----------	-------

CATALOG NUMBER LOGIC:



**CATALOG NUMBER LOGIC**

Example: B - TT - LED - e68 - SAP

**MATERIAL**

(Blank) - Aluminum B - Brass

**SERIES**

TT - Teton

**SOURCE**

LED - with Integral Dimming Driver (25W min. load when dimmed)\*

**LED TYPE**

e67 - 7W LED/2700K	e82 - 7W/2700K 90 CRI
e68 - 7W LED/3000K	e83 - 7W/3000K 90 CRI
e69 - 7W LED/4000K	e84 - 7W/3500K 80 CRI
e75 - 7W LED/Amber	

**FINISH (See page 2 for full-color swatches)**

Standard Finishes (BZP, BZW, BLP, BLW, WHP, WHW, SAP, VER)

Premium Finish (ABP, AMG, AQW, BCM, BGE, BPP, CAP, CMG, CRM, HUG, NBP, OCP, RMG, SDS, SMG, TXF, WCP, WIR)

Also available in RAL Finishes

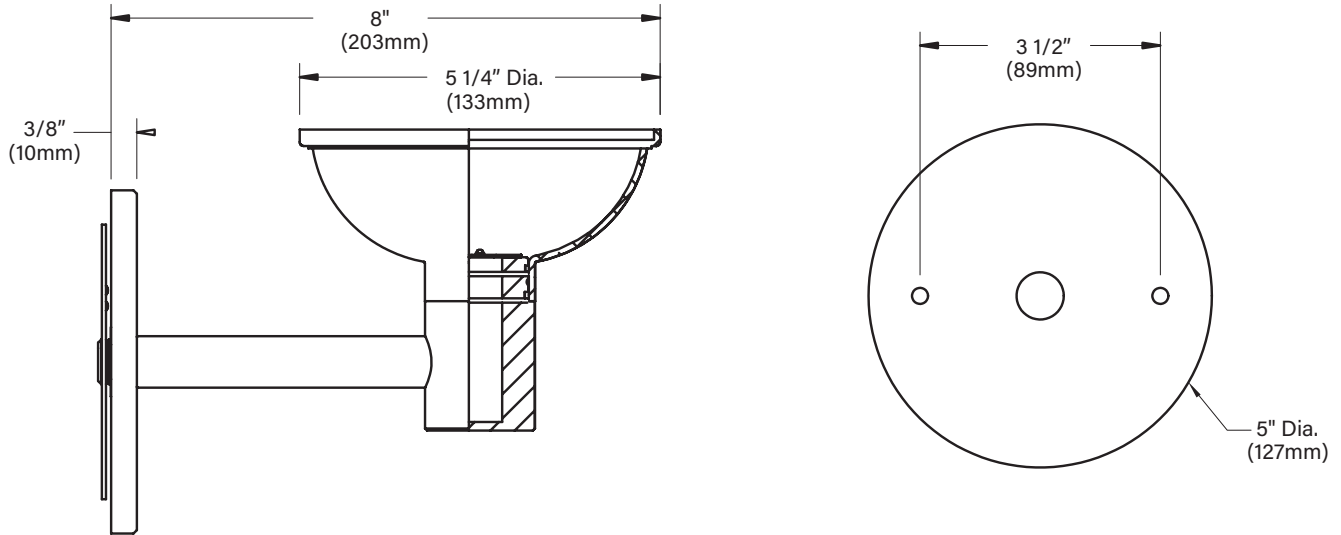
Brass Finishes (MAC, POL, MIT)

\*Requires magnetic low voltage dimmer.

DATE:

PROJECT:

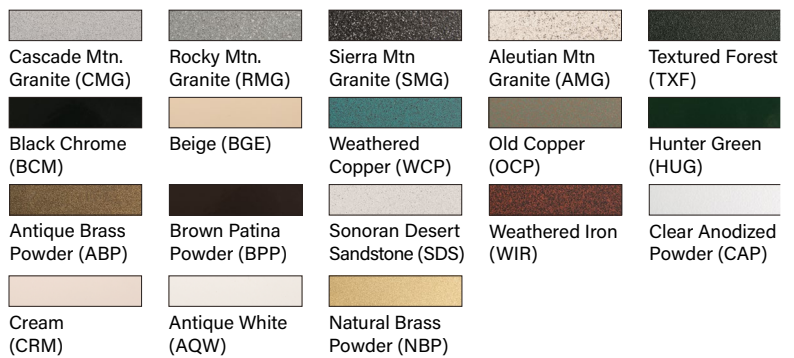
TYPE:



**STANDARD FINISHES**



**PREMIUM FINISHES**

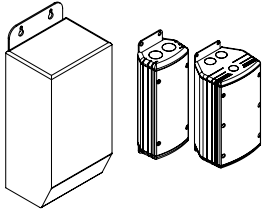


[Click Here](#) to view larger, full-color swatches of all available finishes on our website.

DATE: \_\_\_\_\_ PROJECT: \_\_\_\_\_ TYPE: \_\_\_\_\_

ACCESSORIES (Configure separately)

Drivers (Configure separately)



TR Series

UPMRM

## SPECIFICATIONS

ELECTRICAL	WATTAGE	7W
	WIRING	Teflon® coated, 18AWG, 600V, 250° C rated and certified to UL 1659 standard.
	Remote Transformer	For use with 12VAC remote transformer or magnetic transformers only. B-K Lighting cannot guarantee performance with third party manufacturers' transformers.
PHYSICAL	MATERIALS	Furnished in copper-free aluminum (6061-T6) or brass (360).
	BODY	Unibody design with enclosed, water-proof wireway and integral heat sink is fully machined from solid billet.
	CAP	Fully machined and accommodates one (1) lens or louver media.
	LENS	Shock-resistant, tempered glass lens is factory adhered to fixture cap and provides hermetically sealed optical compartment.
	LED	Integrated solid state system and modular design with electrical disconnects allow for easy field upgrade and maintenance. High power, forward throw source complies with ANSI C78.377 binning requirements and exceeds ENERGY STAR® lumen maintenance requirements. LM-80 certified components. Integral, constant current driver. 12VAC/VDC input. 50/60Hz. Proprietary input control scheme achieves power factor correction and eliminates inrush current (limited to <250mA non-dimming). Output, overvoltage, open-circuit, and short circuit protected. Conforms to Safety Std. C22.2 No. 250.13-12.
	DIMMING	Line voltage dimmable via magnetic low voltage dimmer with dedicated neutral conductor. Remote magnetic transformer with LED loads should be loaded to 25% of the transformer VA (watts) rated value.
	INSTALLATION	5" dia., machined canopy with stainless steel universal mounting ring permits mounting to 4" octagonal junction box (by others). Suitable for uplight or downlight installation.
	HARDWARE	Tamper-resistant, stainless steel hardware. Canopy mounting screws are black oxide treated for additional corrosion resistance.
	FINISH	StarGuard, our 15-stage chromate-free process cleans and conversion coats aluminum components prior to application of Class 'A' TGIC polyester powder coating and is RoHS compliant. Powder coat or metal finish options available for brass material.
	WARRANTY	5-year limited warranty.
	CERTIFICATION & LISTING	ITL tested to IESNA LM-79. UL Listed. Certified to CAN/CSA/ANSI Standards. RoHS compliant. Suitable for indoor or outdoor use, in wet locations, and for installation within 4' of the ground. IP66 Rated. Made in the USA with sustainable processes.



# LAMP & DRIVER DATA (e67, e68, e69, e75)

DATE: \_\_\_\_\_ PROJECT: \_\_\_\_\_ TYPE: \_\_\_\_\_

<b>DRIVER DATA</b>	<b>Input Volts</b>	<b>InRush Current</b>	<b>Operating</b>	<b>Dimmable</b>	<b>Operation Ambient Temperature</b>
	12VAC/DC 50/60Hz	<250mA (non-dimmed)	500mA	Magnetic Low Voltage Dimmer	-22°F-194°F (-30°C - 90°C)

LM79 DATA				L70 DATA		OPTICAL DATA		
BK No.	CCT (Typ.)	CRI (Typ.)	Input Watts (Typ.)	Minimum Rated Life (hrs.) 70% of initial lumens (L <sub>70</sub> )		Angle	CBCP	Delivered Lumens
e67	2700K	80	7	50,000		17°	3632	459
	2700K	80	7	50,000		25°	1708	435
	2700K	80	7	50,000		30°	1337	438
e68	3000K	80	7	50,000		17°	3871	489
	3000K	80	7	50,000		25°	1821	464
	3000K	80	7	50,000		30°	1425	467
e69	4000K	80	7	50,000		17°	3991	504
	4000K	80	7	50,000		25°	1877	478
	4000K	80	7	50,000		30°	1469	481
e75	Amber (590nm)	~	7	50,000		~	~	~

## OPTICS

Optic	Angle
SP - Spot	17°
MFL - Medium Flood	25°
FL - Flood	30°

**B-K LIGHTING**

MADE IN THE USA

559.438.5800 | INFO@BKLIGHTING.COM | BKLIGHTING.COM

THIS DOCUMENT CONTAINS PROPRIETARY INFORMATION OF B-K LIGHTING, INC. AND ITS RECEIPT OR POSSESSION DOES NOT CONVEY ANY RIGHTS TO REPRODUCE, DISCLOSE ITS CONTENTS, OR TO MANUFACTURE, USE OR SELL ANYTHING IT MAY DESCRIBE. REPRODUCTION, DISCLOSURE OR USE WITHOUT SPECIFIC WRITTEN AUTHORIZATION OF B-K LIGHTING, INC. IS STRICTLY FORBIDDEN.